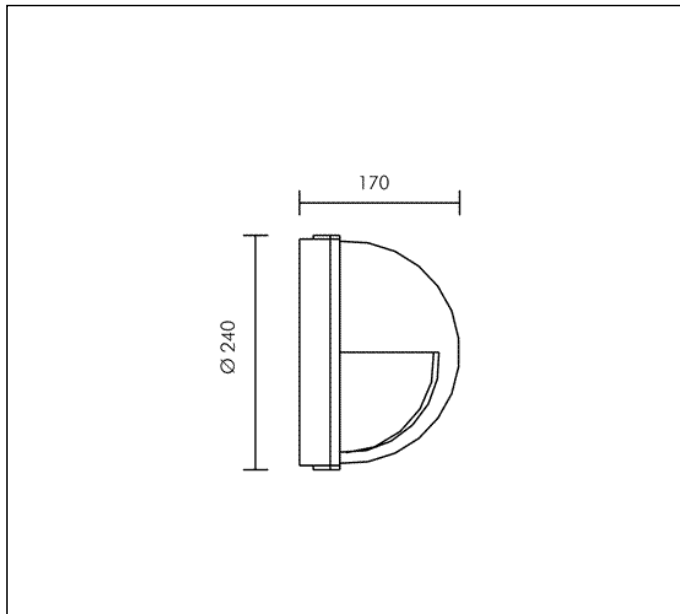
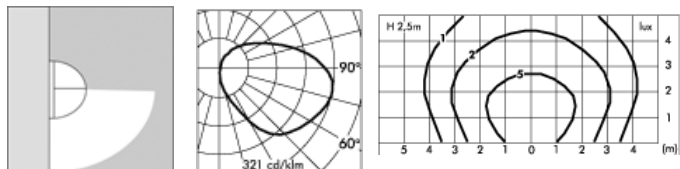


## TECHNICAL DATA SHEET ART. S.6550N - BUL 24

Version is available on request



MODULES LED 4000K 230V 1150lm CRI 80 MacAdam step 3  
 Rated luminaire luminous flux: 414lm  
 Rated input power: 13.5W  
 Luminaire efficacy: 31lm/W  
 230÷230V AC 50-60Hz



\* Photometric measured using WHITE LED 3000K

CE IP 54

### LUMINAIRE TYPE

Wall mounted luminaire. IP rating IP 54

### MATERIAL CHARACTERISTICS

Aluminium die cast housing in EN AB-47100 (low copper content) with high resistance against corrosion. Stone wash surface treatment prior to painting process. A4 grade Stainless Steel screws with 2,5-3% molybdenum content which increases the resistance against corrosion. EPDM gaskets. Painting Process : 3 Step Process

1) Surface treatment with BONDERITE. A heavy metal free chemical surface treatment containing ceramic nano particles giving a cohesive, inorganic and highly dense protective coating. 2) PRE POLYMERIZATION a process of introducing an epoxy primer with excellent characteristics to the paint which also offers very high resistance to oxidation due to its Zinc content. 3) POLYMERIZATION a process with the application of polyester powder with high resistance against UV rays and harsh weather conditions. Resistance test protection for Marine applications for 1200h. Mechanical resistance --

### LIGHTING PERFORMANCE

Sand blasted glass diffuser. Lamp fixed position. LOR --

### WIRING

220V-230V AC 50/60Hz Phase-cut dimmable.

Supply double cable entry. Isolation: CLASS I . Available colours: White (cod.01), Black (cod.09), Aluminium grey (cod.14). Weight: 2.2 Kg Glow Wire test: 960°C

L.E.D circuit included.

**This luminaire contains built-in LED modules. In case of damage or malfunction please contact the manufacturer to receive additional instructions on how to replace and relative spare parts to order. The LED modules cannot be handled in the luminaire by the end user (Regulation UE 874/2012).**

**LED circuit boards are engineered accordingly to actual Lumen Maintenance regulation (LM80) and Technical Memorandum (TM21) where uniformity and quality of light is 50.000 hours referred to L70 B20 Ta 25°C.**

**Lifecycle refers to LED circuit boards only, all others components of the luminaire are excluded.**

## TECHNICAL DATA SHEET ART. S.6550N - BUL 24 ACCESSORIES



### S.2498

#### **SURGE PROTECTION DEVICE 10kV CLASS I**

Compatible with all lighting fixtures classified under electrical Protection Class I

Rated voltage 230-277V

SPD type 2+3

Max Surge Protection 10kV

IP67