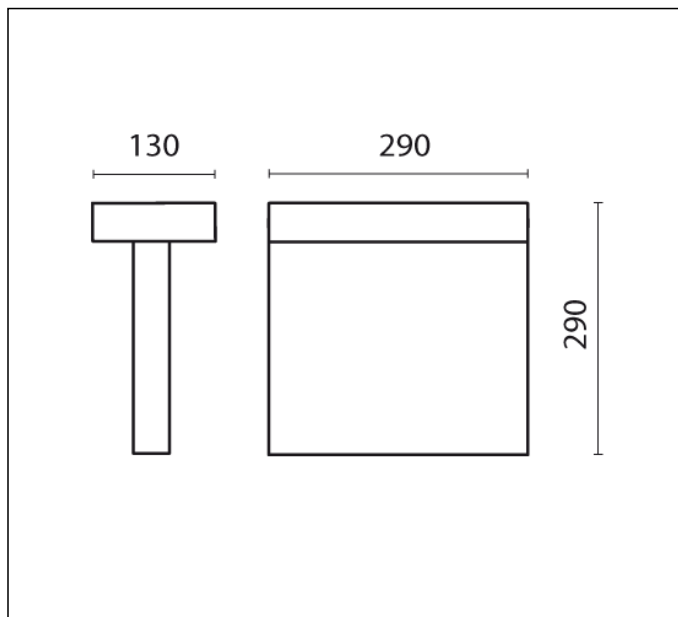


## TECHNICAL DATA SHEET ART. S.7265N - LOOK BOLLARD DOUBLE EMISSION H. 290mm

Version is available on request



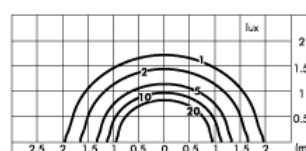
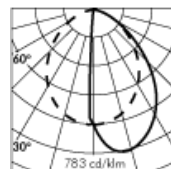
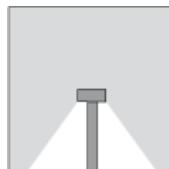
MODULES LED 4000K 230V 4018lm CRI 90 MacAdam step 3

Rated luminaire luminous flux: 2007lm

Rated input power: 48W

Luminaire efficacy: 42lm/W

Electronic ballast 220÷240V AC 50-60Hz / DC



\* Photometric measured using WHITE LED 3000K



Fixture available with external DALI driver on request with surcharge.

### LUMINAIRE TYPE

Bollard fitting, IP rating IP 65

### MATERIAL CHARACTERISTICS

Aluminium die cast housing in EN AB-47100 (low copper content) with high resistance against corrosion. Extruded EN AW-6060 aluminium structure (bollard version) with high corrosion resistance. Stone wash surface treatment prior to painting process. A4 grade Stainless Steel screws with 2,5-3% molybdenum content which increases the resistance against corrosion. Silicone gaskets. Painting Process : 3 Step Process

1) Surface treatment with BONDERITE. A heavy metal free chemical surface treatment containing ceramic nano particles giving a cohesive, inorganic and highly dense protective coating. 2) PRE POLYMERIZATION a process of introducing an epoxy primer with excellent characteristics to the paint which also offers very high resistance to oxidation due to its Zinc content. 3) POLYMERIZATION a process with the application of polyester powder with high resistance against UV rays and harsh weather conditions. Resistance test protection for Marine applications for 1200h. Mechanical resistance IK 06

### LIGHTING PERFORMANCE

Toughened glass diffuser. LOR --. Colour rendering index CRI 90, Colour stability step MacAdam step 3.

### INSTALLATION AND MAINTENANCE

Garden mounted fixtures are to be installed and used with the ground stake accessory or cemented root flange. These cannot be installed directly to the ground or cement bases without the relative accessories because the contact between the two different materials may lead to an accelerated process of oxidation of the fixture. The wiring of the fixtures must strictly respect the specifications. Where not provided by the fixture loop in /out or through wiring will cause infiltration of humidity and if in contact with the cables this may lead to an accelerated process of oxidation.

### WIRING

MINI-COOL L 220mm and MINI-LOOK L 220mm hard wired with H07RN-F cable and fast connector IP68 included, COOL and LOOK L 290mm is supplied with single cable entry. Isolation: CLASS II . Available colours: White (cod.01), Aluminium grey (cod.14), BURNISHED BRONZE (cod.20). Weight: 1.5 Kg Glow Wire test: --

L.E.D circuit included.

### LOOK and COOL REGISTERED DESIGN

This luminaire contains built-in LED modules. In case of damage or malfunction please contact the manufacturer to receive additional instructions on how to replace and relative spare parts to order. The LED modules cannot be handled in the luminaire by the end user (Regulation UE 874/2012).

LED circuit boards are engineered accordingly to actual Lumen Maintenance regulation (LM80) and Technical Memorandum (TM21) where uniformity and quality of light is 50.000 hours referred to L70 B20 Ta 25°C.

Lifecycle refers to LED circuit boards only, all others components of the luminaire are excluded.

### EMERGENCY VERSIONS

The fittings operates both on AC ( 50/60Hz ) and DC ( 0Hz ) voltage.

## TECHNICAL DATA SHEET ART. S.7265N - LOOK BOLLARD DOUBLE EMISSION H. 290mm ACCESSORIES



**S.7269  
FLANGE**  
Steel flange with stainless steel screws (to be fixed in concrete).



**S.2499  
SURGE PROTECTION DEVICE 10kV CLASS II**  
Compatible with all lighting fixtures classified under electrical Protection Class II  
Rated voltage 230-277V  
SPD type 2+3  
Max Surge Protection 10kV  
IP67



**S.5506  
4 WAY CONNECTOR**  
For through wiring (in/out). IP68