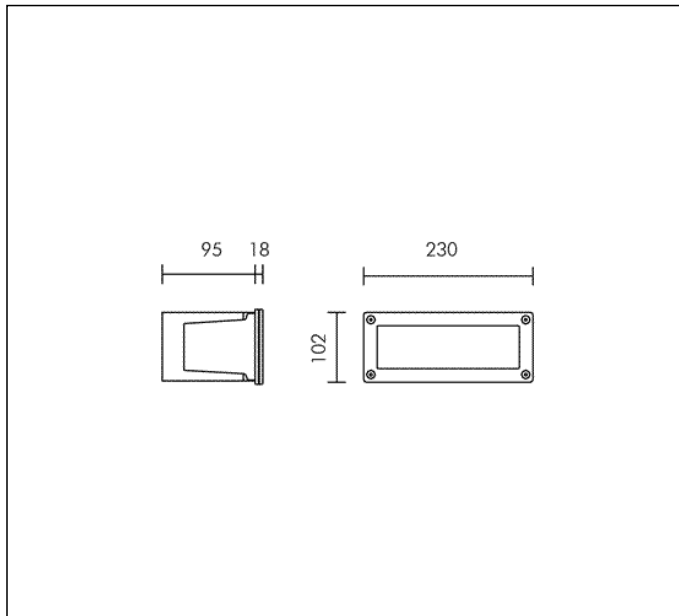


## TECHNICAL DATA SHEET ART. S.4511N - BRIQUE RECTANGULAR

Version is available on request



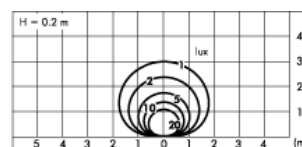
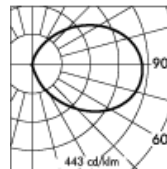
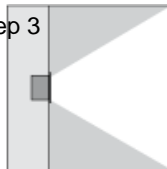
5 MODULES LED 4000K 230V 1026lm 7.5W CRI 90 MacAdam step 3

Rated luminaire luminous flux: 384lm

Rated input power: 10W

Luminaire efficacy: 38lm/W

Electronic ballast 220÷240V AC 50-60Hz



\* Photometric measured using WHITE LED 3000K

CE IP 65

Fixture available with external DALI driver on request with surcharge.

### LUMINAIRE TYPE

Wall mounted luminaire. IP rating IP 65

### MATERIAL CHARACTERISTICS

Aluminium die cast housing in EN AB-47100 (low copper content) and extruded EN AW-6060 with high resistance against corrosion. Stone wash surface treatment prior to painting process. A4 grade Stainless Steel screws with 2,5-3% molybdenum content which increases the resistance against corrosion. EPDM gaskets. Painting Process : 3 Step Process

1) Surface treatment with BONDERITE. A heavy metal free chemical surface treatment containing ceramic nano particles giving a cohesive, inorganic and highly dense protective coating. 2) PRE POLYMERIZATION a process of introducing an epoxy primer with excellent characteristics to the paint which also offers very high resistance to oxidation due to its Zinc content. 3) POLYMERIZATION a process with the application of polyester powder with high resistance against UV rays and harsh weather conditions. Resistance test protection for Marine applications for 1200h. Mechanical resistance IK 06

### LIGHTING PERFORMANCE

Reflector in 99.98% pure anodized aluminium . Opal toughened glass diffuser. LOR --

### INSTALLATION AND MAINTENANCE

Installation is simple with polypropylene recessing box. Appropriate plastic supports reinforce the centre of the structure. This strategy prevents buckling during the concrete wall construction phase. The luminaires are fixed in the recessing box by stainless steel screws. The reeded glass lightly conceals the view inside the luminaire. The glass is safely protected against blows or vandalism. The trim and the grill hold the glass diffuser in place while covering the rim of the recessing box and the holes. This assures that wall imperfections remain hidden.

### WIRING

Double cable entries. Isolation: CLASS I . Available colours: Aluminium grey (cod.14). Weight: 1.7 Kg Glow Wire test: 750°C

L.E.D circuit included.

This luminaire contains built-in LED modules. In case of damage or malfunction please contact the manufacturer to receive additional instructions on how to replace and relative spare parts to order. The LED modules cannot be handled in the luminaire by the end user.

LED circuit boards are engineered accordingly to actual Lumen Maintenance regulation (LM80) and Technical Memorandum (TM21) where uniformity and quality of light is 50.000 hours referred to L70 B20 Ta 25°C.

Lifecycle refers to LED circuit boards only, all others components of the luminaire are excluded.

## TECHNICAL DATA SHEET ART. S.4511N - BRIQUE RECTANGULAR ACCESSORIES



**S.4503**  
**RECESSING BOX**  
220 x 92 mm.  
Width 95 mm



**S.2498**  
**SURGE PROTECTION DEVICE 10kV CLASS I**  
Compatible with all lighting fixtures classified under electrical Protection Class I  
Rated voltage 230-277V  
SPD type 2+3  
Max Surge Protection 10kV  
IP67