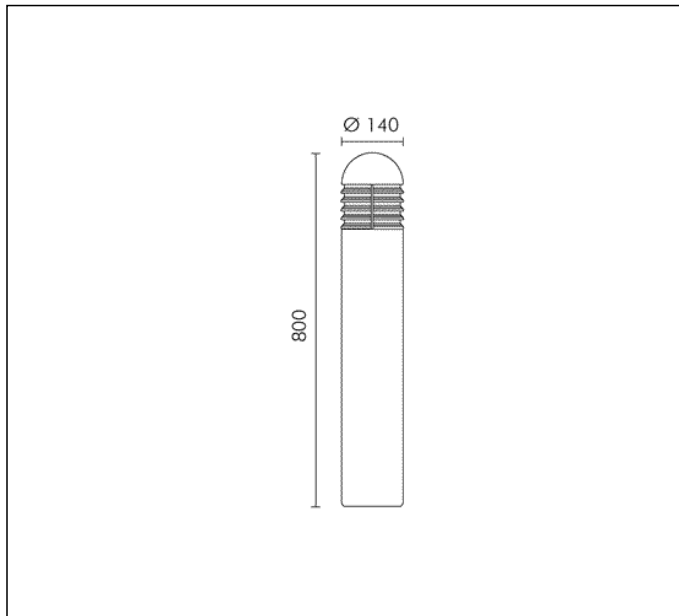


TECHNICAL DATA SHEET ART. S.4136N - MINICOLUMN 45°

Version is available on request



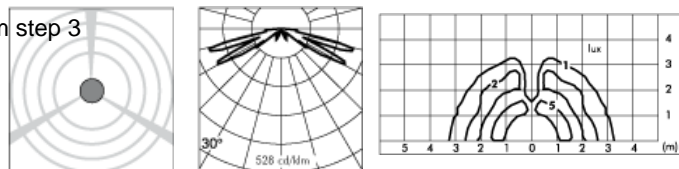
1 MODULES LED COB 4000K 230V 1105lm 9W CRI 90 MacAdam

Rated luminaire luminous flux: 138lm

Rated input power: 11W

Luminaire efficacy: 13lm/W

Electronic ballast 220÷240V AC 50-60Hz / DC



* Photometric measured using WHITE LED 3000K

CE IP 65

Fixture available with external DALI driver on request with surcharge.

LUMINAIRE TYPE

Bollard fitting. IP rating IP 65

MATERIAL CHARACTERISTICS

Extruded EN AW-6060 aluminium profile, die-cast EN AB-47100 aluminium housing with high corrosion resistance. Stone wash surface treatment prior to painting process. A4 grade Stainless Steel screws with 2,5-3% molybdenum content which increases the resistance against corrosion. Pre treated Silicone Gaskets. Painting Process : 3 Step Process

1) Surface treatment with BONDERITE. A heavy metal free chemical surface treatment containing ceramic nano particles giving a cohesive, inorganic and highly dense protective coating. 2) PRE POLYMERIZATION a process of introducing an epoxy primer with excellent characteristics to the paint which also offers very high resistance to oxidation due to its Zinc content. 3) POLYMERIZATION a process with the application of polyester powder with high resistance against UV rays and harsh weather conditions. Resistance test protection for Marine applications for 1200h. Mechanical resistance IK 10

LIGHTING PERFORMANCE

Clear polycarbonate lens with controlled downward light emission for avoiding any glare, UV-stabilised and vandalproof . Lamp fixed position . LOR --

INSTALLATION AND MAINTENANCE

Garden mounted fixtures are to be installed and used with the ground stake accessory or cemented root flange. These cannot be installed directly to the ground or cement bases without the relative accessories because the contact between the two different materials may lead to an accelerated process of oxidation of the fixture. The wiring of the fixtures must strictly respect the specifications. Where not provided by the fixture loop in /out or through wiring will cause infiltration of humidity and if in contact with the cables this may lead to an accelerated process of oxidation.

WIRING

Supplied with rubber 0.3m cable H07RN-F and fast connector IP67. The connector must be connected at the supply line (Ø 12÷16 mm). Isolation: CLASS II . Available colours: Aluminium grey (cod.14). Weight: 5.1 Kg Glow Wire test: 750°C

L.E.D circuit included.

This luminaire contains built-in LED modules with energy class: A, A+, A++. In case of damage or malfunction please contact the manufacturer to receive additional instructions on how to replace and relative spare parts to order. The LED modules cannot be handled in the luminaire by the end user (Regulation UE 874/2012).

LED circuit boards are engineered accordingly to actual Lumen Maintenance regulation (LM80) and Technical Memorandum (TM21) where uniformity and quality of light is 50.000 hours referred to L70 B20 Ta 25°C.

Lifecycle refers to LED circuit boards only, all others components of the luminaire are excluded.

TECHNICAL DATA SHEET ART. S.4136N - MINICOLUMN 45° INCLUDED ACCESSOIRES



FAST CONNECTOR INCLUDED

ACCESSORIES



**S.4172
FLANGE**

Flange Ø 140mm h 115mm to be fixed in concrete with stainless steel screws for fixing in the ground.
Footstall dimension can be calculated according to your country norms and ground properties.



**S.5506
4 WAY CONNECTOR**

For through wiring (in/out). IP68



**S.2499
SURGE PROTECTION DEVICE 10kV CLASS II**

Compatible with all lighting fixtures classified under electrical Protection Class II
Rated voltage 230-277V
SPD type 2+3
Max Surge Protection 10kV
IP67

Further information

FIXING BASE

