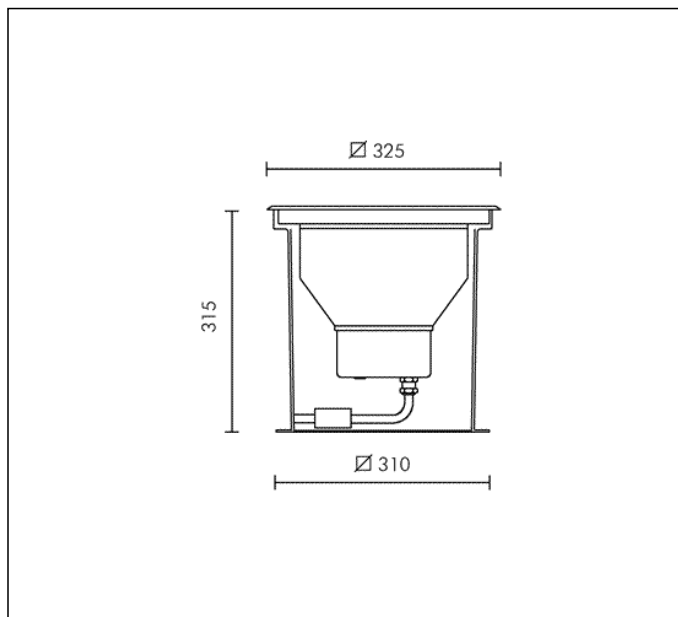
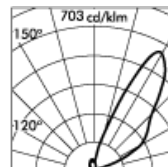
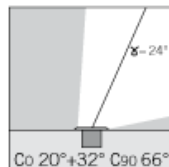


## TECHNICAL DATA SHEET ART. S.4918.19 - MEGARING SQUARE

Item no longer in the catalogue



HIT-DE 150W CLEAR Rx7S 13250lm  
 Rated luminaire luminous flux: 4637lm  
 Rated input power: 149W  
 Luminaire efficacy: 31lm/W (LOR: 35%)  
 Magnetic transformer 230÷240V 50Hz  
 EEI=A3, LOSSES=18.5W



h(m)	E(lx)	0	2	4	6 (m)
10	1	1	1	0	
8	2	2	1	1	
6	9	7	3	2	
4	68	35	8	4	
2	720	108	9	0	
1.5 m	0	2	4	6 (m)	

CE Ⓢ IP 65 IP67 Ⓢ

### LUMINAIRE TYPE

Inground drive over fitting. Recessing depth 315 mm. IP rating IP 65 IP67

### MATERIAL CHARACTERISTICS

"Copper Free" Aluminium die cast housing in EN AB-44100 with high resistance against corrosion. 3 mm thick front trim in Stainless Steel - Grade AISI 316L with 2,5 -3% molybdenum content, with high resistance against corrosion. Stone wash surface treatment prior to painting process. A4 grade Stainless Steel screws with 2,5-3% molybdenum content which increases the resistance against corrosion. Pre treated Silicone Gaskets. Painting Process : 3 Step Process

1) Surface treatment with BONDERITE. A heavy metal free chemical surface treatment containing ceramic nano particles giving a cohesive, inorganic and highly dense protective coating. 2) PRE POLYMERIZATION a process of introducing an epoxy primer with excellent characteristics to the paint which also offers very high resistance to oxidation due to its Zinc content. 3) POLYMERIZATION a process with the application of polyester powder with high resistance against UV rays and harsh weather conditions. Resistance test protection for Marine applications for 1200h. Mechanical resistance IK 10 Maximum load capacity 2000 Kg

### LIGHTING PERFORMANCE

Reflector in 99.98% pure anodized aluminium . semiacid-etched Toughened glass 19mm thick. Lamp fixed position. LOR 35%

### LOW SURFACE TEMPERATURE

Surface temperature of glass 117°C (Ta 25°C)

### RECESSING BOX

Recessing box in Polypropylene with cable entry on all 4 sides also allows: 1) Easy wiring; 2) Cable management for fast connector; 3) Easy access to the fitting for maintenance purposes.

### WIRING

Supply 0.5m cable section type H07RN-F secured by cable gland PG 13.5 (Ø 6÷12 mm) and sealed with B component epoxy resin, wired internally protected by silicon sheaths. Front re-lamping without removing the complete fitting . Isolation: CLASS I . Available colours: Stainless steel (cod.19). Weight: 10.9 Kg Glow Wire test: 750°C  
**Lamp included.**

## TECHNICAL DATA SHEET ART. S.4918.19 - MEGARING SQUARE INCLUDED ACCESSOIRES



FAST CONNECTOR INCLUDED

### ACCESSORIES



**S.2498**

**SURGE PROTECTION DEVICE 10kV CLASS I**

Compatible with all lighting fixtures classified under electrical Protection Class I

Rated voltage 230-277V

SPD type 2+3

Max Surge Protection 10kV

IP67