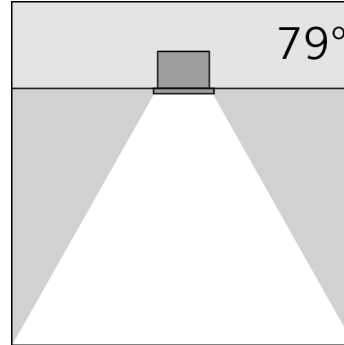
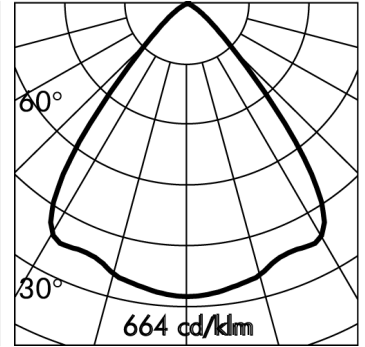
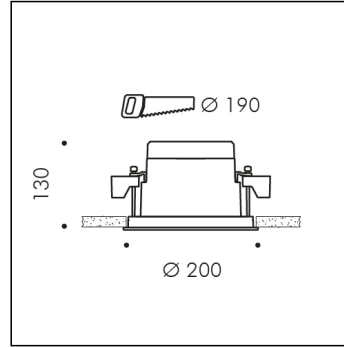


LOBBY BASIC



79°		
h(m)	Ø(m)	E(lx)
1	1.64	1078
2	3.27	269
3	4.91	120
4	6.55	67
5	8.18	43

*Photometric measured using WHITE LED 3000K

Version available on request without price surcharge.
 Item no longer in the catalogue.
 New Item replacing S.7326N

S.7320N

1 module COB 4000K 220-230Vac ON-OFF
 Ceiling recessed mounted



Light Source Technical Data

Light source type:	COB
Colour temperature:	4000K
Rated module luminous flux:	2060lm
Rated luminaire luminous flux:	1672lm
Rated luminaire power:	18.4W
Luminaire efficacy:	91lm/W
ULR:	0%
CIE Flux Code:	86 99 100 100 100
Color Rendering Index:	CRI 83
Standard Deviation Color Matching:	MacAdam step 3

Power Supply Technical Data

Voltage (AC):	220-230Vac
Frequency (AC):	50/60Hz
Dimmable:	NOT DIMMABLE (ON-OFF)

Technical Installation Data

Electrical insulation class:	I
Protection class IP:	IP65
Mechanical resistance:	IK10
Weight:	2.16Kg
Power cable:	0.5m - H05RN-F

Temperature and life time Technical Data

LED Lifetime:	L80 B10 70.000h Ta 25°C L80 B10 50.000h Ta 40°C
Lifespan of the LUMINAIRE:	min. 70.000h Ta 25°C min. 50.000h Ta 40°C
Performance ambient temperature:	Tq 25°C
Operating ambient temperature range:	da -20°C a +50°C
Storage temperature range:	da -20°C a +60°C

WARRANTY

All Simes products are covered by an extended 5-year warranty. For terms and conditions, see www.simes.it/warranty

**LOBBY BASIC
S.7320N****SPECS SHEET****LUMINAIRE TYPE**

False ceiling-recessed down-light fitting. IP rating IP 65

MATERIAL CHARACTERISTICS

Aluminium die cast housing in EN AB-47100 (low copper content) with high resistance against corrosion. Stone wash surface treatment prior to painting process. Aluminium front trim with visible screws for LOBBY BASIC. Marine grade stainless steel AISI 316L front trim with interlocking clips system for LOBBY PROFESSIONAL. Steel screws treated with an advanced anticorrosive coating. Pre treated Silicone Gaskets. **Extra-resistant Painting Process:** Extra-resistant exterior coating. Product suitable for applications in high-humidity environments, C5 ZONE (according to UNI EN ISO 9223:2012).
Mechanical resistance IK 10

LIGHTING PERFORMANCE

Toughened semiacid-etched glass 10mm thick. Lamp fixed position. LOR --

INSTALLATION AND MAINTENANCE

The luminaires are fixed to the falseceiling by adjustable heavy-duty brackets system.

WIRING

Luminaire hard wired with 0,50m H05RN-F cable (only for BASIC versions), Luminaire with double cable entry and cable glands (Lobby Professional). Isolation: CLASS I . Available colours: Aluminium grey (cod.14). Weight: 2.16 Kg Glow Wire test: --

LED module included**LOBBY PATENTED**

This luminaire contains built-in LED modules. In case of damage or malfunction please contact the manufacturer to receive additional instructions on how to replace and relative spare parts to order. The LED modules cannot be handled in the luminaire by the end user.

LED modules are engineered accordingly to the existing regulations of Lumen Maintenance (LM80) and Technical Memorandum (TM21), where uniformity and quality of the light is 70,000 hours referred to L80 B10 Ta 25 ° C (50,000 hours referable to L80 B10 Ta 40°C). Lifespan of the luminaire min. 70.000 hours Ta 25°C, min. 50,000 hours at 40°C. Performance Ambient temperature Tq 25°C. Operating ambient temperature range is from -20°C to +50°C. Storage temperature range from -20°C to +60°C.

ELECTRONIC EQUIPMENT SENSITIVE TO OVERVOLTAGE.

We recommend installing surge protection devices "SPD" in the electrical system. Protection devices prevent the intensity of these phenomena's, protecting the appliances from the risk of being damaged and extending the lifespan. Outdoor luminaires are subject to all types of permanent, temporary, or transient electrical disturbances. Such disturbances can create permanent damage or failure affecting its performance and durability. The surge protection device (supplied by SIMES) is utilized to limit the destructive effect of these phenomena. We suggest that each luminaire must be connected to one protection device at not more than 10m away. For correct coordination of the protections, a surge protection device must also be provided inside the electrical panel of the system (the selection of this device must be carried out from the electrical designer and is not supplied by SIMES).

WARRANTY

All items produced from 01/01/2026 onwards are covered by a 5 (five)-year warranty against manufacturing and conformity defects, in accordance with the terms and limits set out in the manufacturer's official documentation. For full details, exclusions and warranty activation procedures, please refer to the following link: www.simes.it/warranty

LOBBY BASIC
S.7320N

ACCESSORIES

S.2498
SURGE PROTECTION DEVICE 10kV CLASS I

Compatible with all lighting fixtures classified under electrical Protection Class I Rated voltage 230-277V SPD type 2+3 Max Surge Protection 10kV IP67

EACH FIXTURE MUST BE CONNECTED TO ONE SINGLE SURGE PROTECTION DEVICE AT A DISTANCE OF NO MORE THAN 10m AWAY.


S.7329
HOUSING FOR CONCRETE CEILINGS

Dim. 260 x 260 x 150mm


S.2495
DALI2 RELAY SWITCH for ON-OFF (NOT DIMMABLE) 230V LUMINAIRES

Allows to make a remote controll of ON-OFF not dimmable 230V luminaires via DALI2 protocol. IP20 Max nominal load 1000VA Max switching current 8A Max inrush current 80A Dimensions 32,5mm x 15mm x 58,5mm NB: the Luminaire can be controlled remotely in ON-OFF mode only and not in dimmed mode.

The total quantity of the Inrush currents of the luminaires/fixtures that you want to connect to the DALI2 RELAY SWITCH, must not exceed the maximum value of 80A.


S.2496
DALI2 RELAY SWITCH for ON-OFF (NOT DIMMABLE) 230V LUMINAIRES

Allows to make a remote controll of ON-OFF not dimmable 230V luminaires via DALI2 protocol. IP67 Max nominal load 1000VA Max switching current 8A Max inrush current 80A Dimensions 175,5mm x 86,5mm x 43mm NB: the Luminaire can be controlled remotely in ON-OFF mode only and not in dimmed mode.

The total quantity of the Inrush currents of the luminaires/fixtures that you want to connect to the DALI2 RELAY SWITCH, must not exceed the maximum value of 80A.