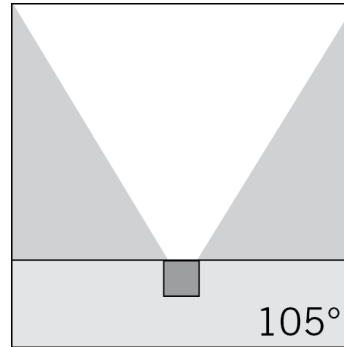
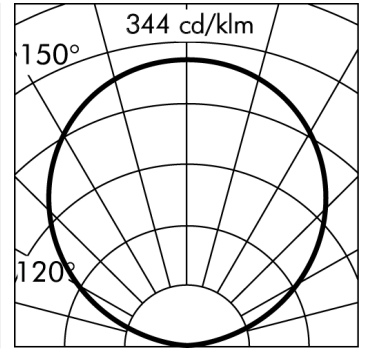
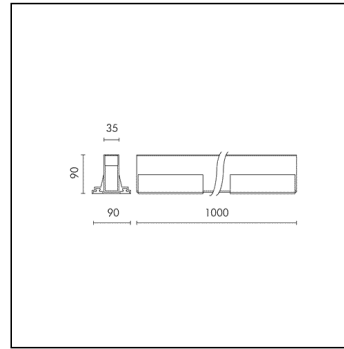
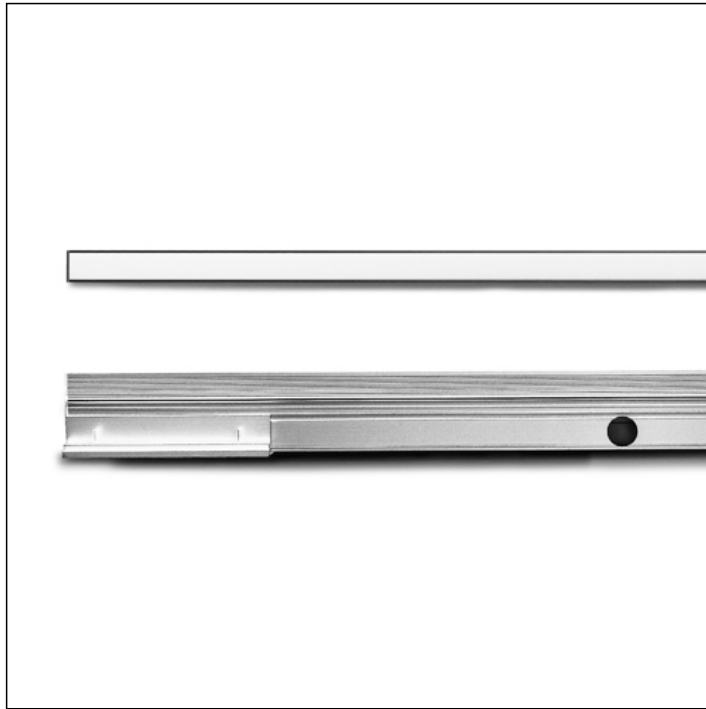


CONTINUOUS LINE 1m



h(m)	E(lx)			
2.5	0.0	0.0	0.0	0.0
2.0	0.0	0.0	0.0	0.0
1.5	0.5	0.5	0.5	0.5
1.0	1.5	1.5	1.0	0.5
0.5	5.5	5.0	3.0	1.5
0.1 m	0	0.3	0.6	0.9 (m)

Item no longer in the catalogue.

S.7000

module LED RGB 24Vdc DIMMABLE PWM
Inground walkover linear



Light Source Technical Data

Light source type:	LED RGB
Rated luminaire luminous flux:	52lm
Rated luminaire power:	21W
Luminaire efficacy:	2lm/W

Power Supply Technical Data

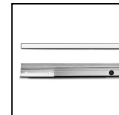
Voltage (DC):	24Vdc
See the SIMES power supply accessories list on the following pages	
Dimmable:	PWM

Temperature and life time Technical Data

LED Lifetime:	L80 B10 70.000h Ta 25°C
	L80 B10 50.000h Ta 40°C
Lifespan of the LUMINAIRE:	min. 70.000h Ta 25°C
	min. 50.000h Ta 40°C
Performance ambient temperature:	Tq 25°C
Operating ambient temperature range:	da -20°C a +50°C
Storage temperature range:	da -20°C a +60°C

Technical Installation Data

Electrical insulation class:	III
Protection class IP:	IP65 IP67
Mechanical resistance:	IK09
Glass surface temperature:	39°C
Weight:	7.1Kg
Maximum load capacity:	500Kg
Power cable:	0.15m - H05RN-F

CONTINUOUS LINE 1m
S.7000**SPECS SHEET****LUMINAIRE TYPE**

Inground walk over fitting. Recessing depth 90 mm. IP rating IP 65 IP67

MATERIAL CHARACTERISTICS

Fixing base and recessing box in extruded anodized EN AW-6060 aluminium housing (copper free) with high corrosion resistance. Mechanical resistance IK 09 Maximum load capacity 500 Kg

LIGHTING PERFORMANCE

The spectral distribution of the light is intended to change the appearance of the scene or object lit. Not intended for use in other applications. Extruded polycarbonate diffuser 3mm thick. Lamp fixed position. LOR --

LOW SURFACE TEMPERATURE

Surface temperature of diffusor 39°C (Ta 25°C)

RECESSING BOX

The housing is realized in aluminium and it is supplied with a protective cover resistant to tearing, which is to be removed only after cementing the housing flush to the pavement, just before the final installation of the fitting.

WIRING

CONTINUOUS LINE is equipped with to-be-fixed supports to perfectly align additional fittings and provide easy installation. Using this simple system to join the housing and supports also assists in levelling the housings in a CONTINUOUS LINE. It is possible to level the fitting using screws. The wiring is external to the housing. Luminaire hard wired with 0,15m H05RN-F single cable. The result is a continuous line of light. Isolation: CLASS III. Available colours: Anodized aluminium (cod.13). Weight: 7.1 Kg Glow Wire test: 850°C

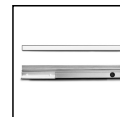
LED module included**LINEA CONTINUA PATENTED 2013**

This luminaire contains built-in LED modules. In case of damage or malfunction please contact the manufacturer to receive additional instructions on how to replace and relative spare parts to order. The LED modules cannot be handled in the luminaire by the end user.

LED modules are engineered accordingly to the existing regulations of Lumen Maintenance (LM80) and Technical Memorandum (TM21), where uniformity and quality of the light is 70,000 hours referred to L80 B10 Ta 25 ° C (50,000 hours referable to L80 B10 Ta 40°C). Lifespan of the luminaire min. 70.000 hours Ta 25°C, min. 50,000 hours at 40°C. Performance Ambient temperature Tq 25°C. Operating ambient temperature range is from -20°C to +50°C. Storage temperature range from -20°C to +60°C.

CONTINUOUS LINE 1m

S.7000



ACCESSORIES



S.2459
SURFACE-BOX 30MM DEPTH FOR TOUCHPANEL S.2451/S.2456
 Square surface mounting box, 30 mm depth, for 1- or 2-reduced-module Idea and 2 module Eikon and Plana with relevant mounting frames and cover plates, white. To be installed on insulating non-perforated or metallic with earth connection surfaces. Dimensions 83mmx83mmx30mm



S.2440
POWER SUPPLY RGBW IP55 320W 230V/24V PWM DMX MAX 10 OUTPUTS
 IP55 box with 320W power supply 240V/24V PWM controlled by DMX protocol. The Total power of all connected luminaires may not be higher than the power of the driver. Dimensions 316mm x300mm x128mm
WE SUGGEST TO USE ONE SURGE PROTECTION DEVICE (S.2499) FOR EACH REMOTE DRIVER AT A DISTANCE OF NO MORE THAN 10m AWAY.



S.2450
RGBW DMX MULTIZONE REMOTE CONTROL
 The RGBW remote control is a 4 zones control with a color wheel for changing the color and a slider touch for adjusting the light brightness. Color and brightness is displayed by color light indicator present on the device. The remote connects to any RF device within effective distance (30 meters in open space) and keeps the effect in sync. The device is compatible with the RGBW 4 Zone TOUCH-PANEL (item code S.2451) and/or with the signal EBOX CONVERTER (item code S.2460).



S.2451
TOUCH PANEL RGBW DMX 4 ZONE
 - Adopts capacitive touch control technology on the full color wheel, make LED color selection more user-friendly. - Adopt wireless RF and wired DMX512 protocol 2 in 1 control mode, more flexible and convenient for project installation. - Advanced RF wireless sync/zone control technology, make sure dynamic color modes synchronously among multiple Ebox converter boxes. - Four zones can be combined arbitrarily, for example: zone 1 and zone 2 as a group, or zone 1, zone 3, zone 4 as a group, or all the 4 zones as a group. - Support multiple panels linkage control, no quantity limitation. - Touch keys with chord and LED indicator. - Compatible with the RGBW REMOTE CONTROL (S.2450) and/or APP control through the GATEWAY WIFI -106 box (S.2465) and/or with the EBOX CONVERTER (S.2460). - In wireless connection the device communicates with any RF device within effective distance (30 meters in open space). - No limit the quantity of signal Ebox converter boxes in each zone, and all color modes keep synchronously. In case of wireless connection and as any other WIFI product, should not be placed in a metal enclosure or next to large metal structure. Metal will effectively block all radio signals which are crucial to the operation of the product.



S.2460
SIGNAL CONVERTER EBOX DMX
 EBOX-DMX wireless box is a wireless communication protocol and converts the RF signal into DMX. It is compatible with all DMX luminaire products on the market. This wireless technology application, has removed the complex cabling procedure and expensive technical commissioning fee, to make it become more easier for new or retrofit installations. The IP66 device is compatible with the RGBW 4 Zone TOUCH-PANEL (S.2451/S.2456) and/or with the REMOTE CONTROL (S.2450/S.2455) and/or APP control through the GATEWAY WIFI -106 box (S.2465).
 In case of wireless connection and as any other WIFI product, should not be placed in a metal enclosure or next to large metal structure. Metal will effectively block all radio signals which are crucial to the operation of the product.



S.2461
SIGNAL REPEATER WIRELESS FOR EBOX DMX
 IP66 Wireless extender box is a wireless signal extension, it is not necessary to pair via its factory default setting, greatly ensures its stability and wide controlling area among wireless communication devices, removing the complex cabling procedure, to make it become more easier for new or retrofit installations. Please set up all controller and Ebox converters before adding the wireless repeater boxes. Works with GATEWAY WIFI 106 BOX (S.2465), TOUCH PANEL (S.2451) and with the SIGNAL EBOX CONVERTER (S.2460).
 As any other WIFI product, should not be placed in a metal enclosure or next to large metal structure. Metal will effectively block all radio signals which are crucial to the operation of the product.



S.2465
GATEWAY WIFI-106 BOX DMX
 The Gateway is a WiFi lighting control system, consisted of APP and WiFi remote controller to change the saved scenes (max. can call max. 4 scenes). Controls various types of LED lighting products. By installing the related App on our Android (4.0 or above) or iOS (IOS 8.0) mobile devices which support WiFi connection. With DIM, CT adjustment, RGB and RGBW changing 4 in 1 operation, plus 12 controller control function. You can connect directly your mobile device to the Gateway with router or without. The IP66 WIFI-106 gateway box must not be placed in a metal enclosure or next to large metal structure. Metal will effectively block all radio signals which are crucial to the operation of the product. **The GATEWAY, in order to function correctly, MUST be installed in combination with the TOUCH-PANEL (S.2451/S.2456). Moreover, it is compatible with the EBOX CONVERTER accessory (S.2460) ONLY when used in combination with the TOUCH-PANEL (S.2451/S.2456).**



S.2466
GATEWAY WIFI-108 BOX + MULTIZONE TOUCH PANEL RGBW DMX
 Multizone RGBW TOUCH-PANEL (refer to technical specification sheet code item S.2451) supplied together with a GATEWAY that allows an intelligent management control via smartphone / tablet in local mode (WIFI) and / or long-range control by cloud platform (3G / 4G). This gateway allows you to: Adjust the light brightness; Color change; Create Scenes; Timing function; Advanced programming of functions such as sunrise, sunset, etc.

Next ...

CONTINUOUS LINE 1m**S.7000****ACCESSORIES****S.3413****POWER SUPPLY IP55 RGBW 90W 230V/24V PWM DMX MAX 5 OUTPUTS**

IP55 box with 90W power supply 240V/24V PWM controlled by DMX protocol. The Total power of all connected luminaires may not be higher than the power of the driver. Dimensions

260mmx260mmx100mm

WE SUGGEST TO USE ONE SURGE PROTECTION DEVICE (S.2499) FOR EACH REMOTE DRIVER AT A DISTANCE OF NO MORE THAN 10m AWAY.