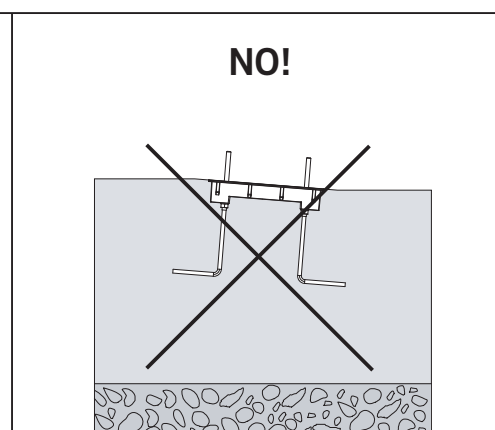
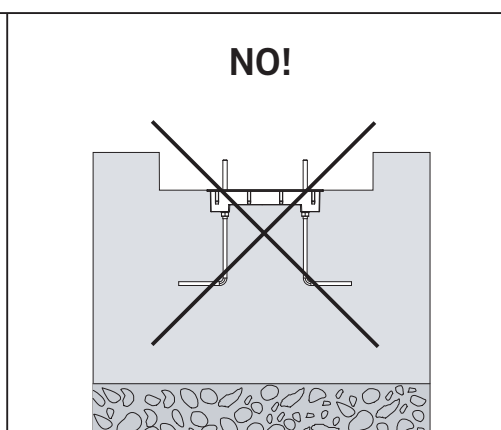
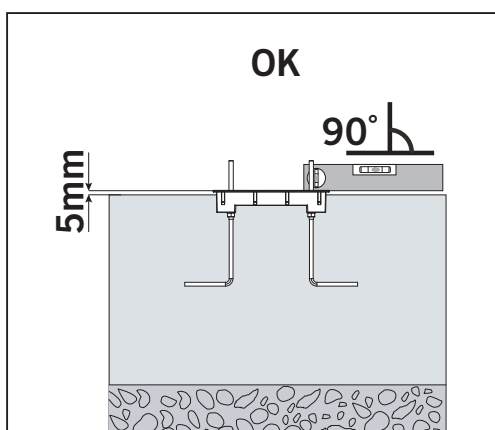
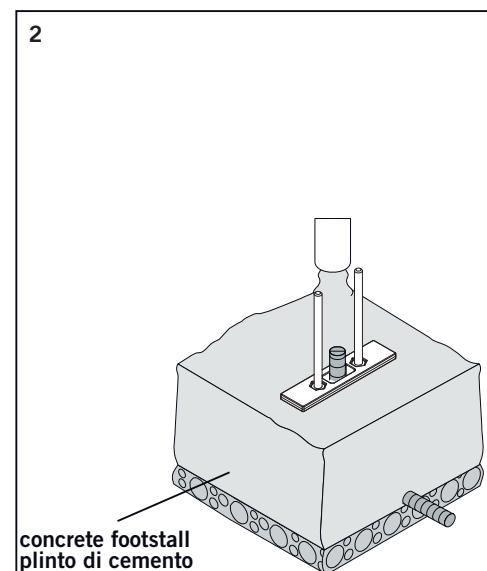
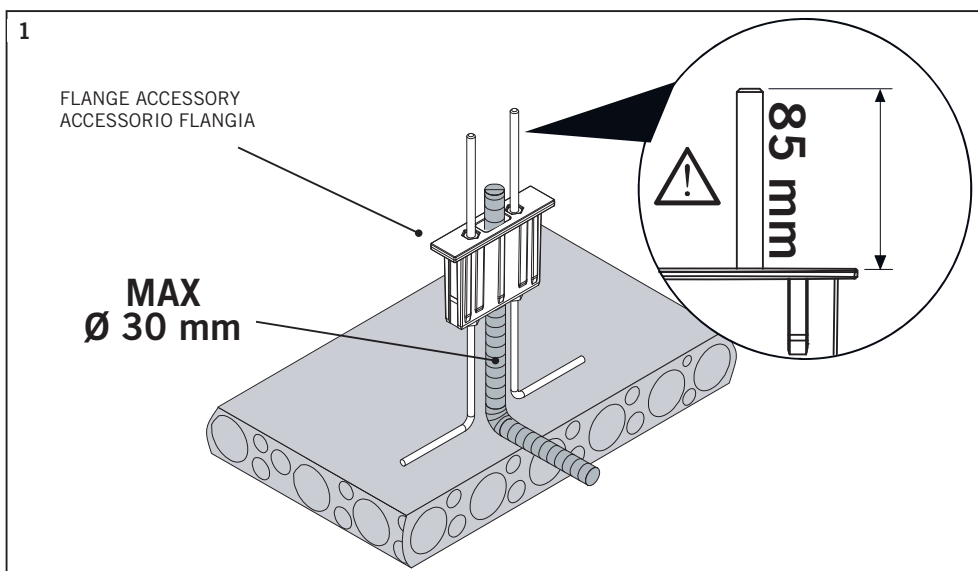
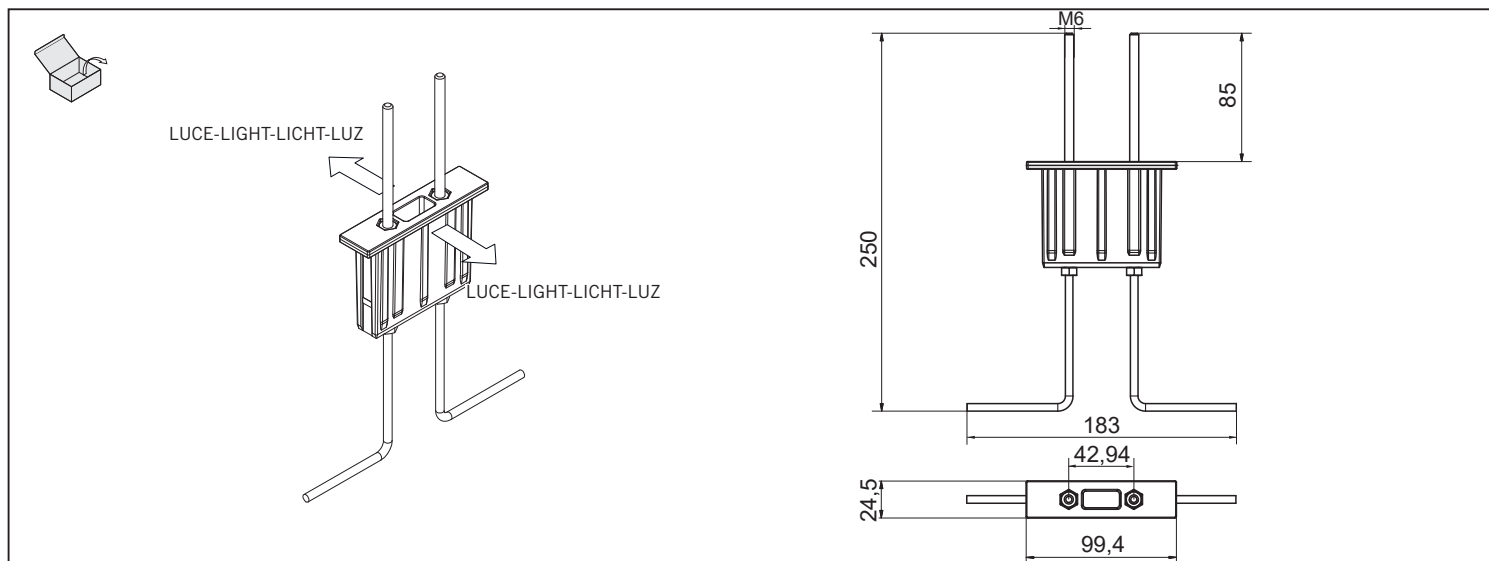


**FLANGIA / FLANGE**  
**EMBASE DE FIXATION / EINGIESSANKER**  
**S.3159**

**S I M E S**



**SIMES S.p.A. VIA G. PASTORE 2/4 - 25040 CORTE FRANCA (BRESCIA) - ITALY**  
**TEL. +39 0309860430 - FAX +39 0309860439**  
**E-mail: [simes@simes.it](mailto:simes@simes.it) - <http://www.simes.it>**

We reserve the right to change specifications without prior written notice

ISTRFLATRIM REV.1 03/20