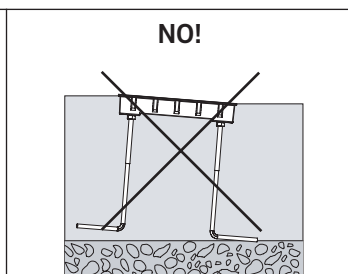
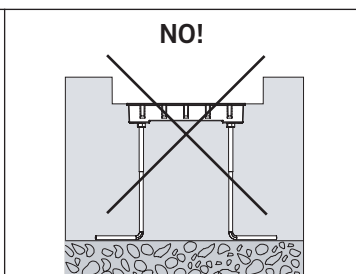
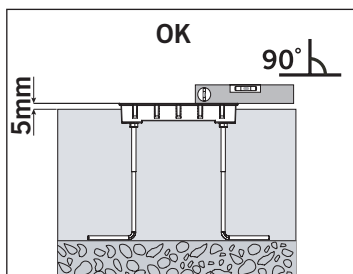
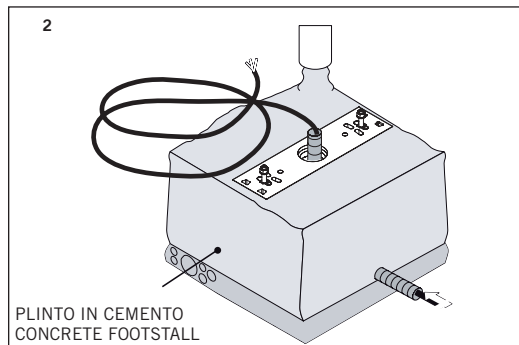
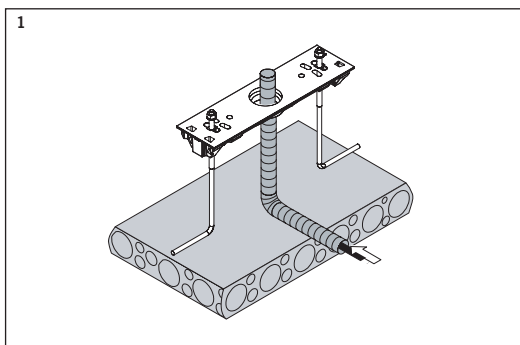
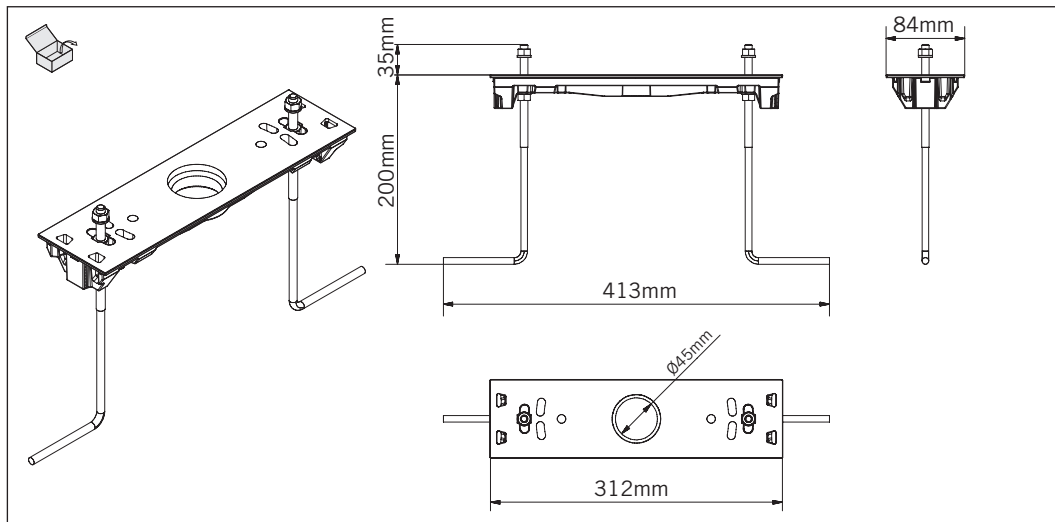


# FLANGIA / FLANGE EMBASE DE FIXATION / EINGIESSANKER

# SIMES

## S.6359



SIMES S.p.A. VIA G. PASTORE 2/4 - 25040 CORTE FRANCA (BRESCIA) - ITALY  
TEL. +39 0309860430 - FAX +39 0309860439  
E-mail: [simes@simes.it](mailto:simes@simes.it) - <http://www.simes.it>

We reserve the right to change specifications without prior written notice

ISTRFLASKILL REV.1 07/20