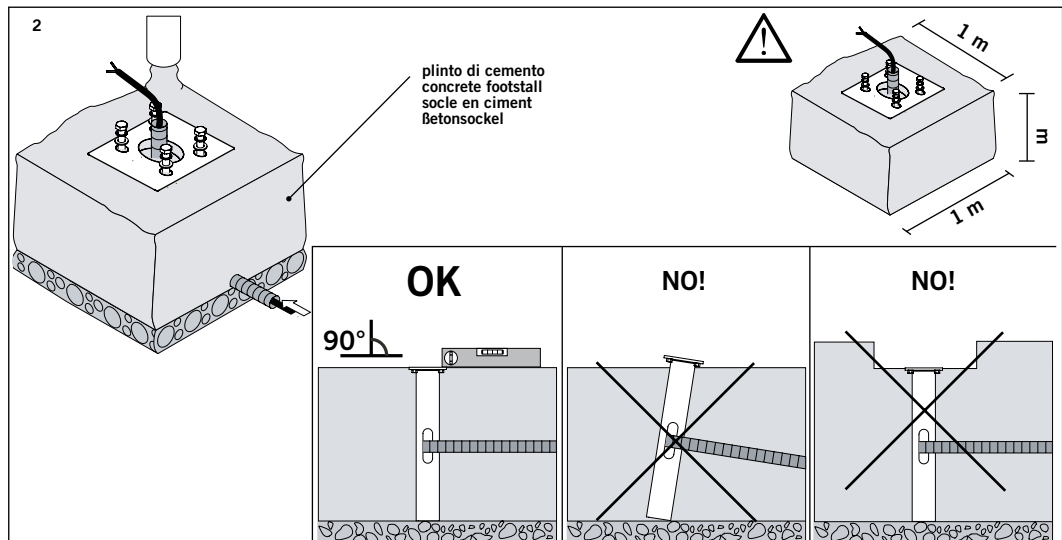
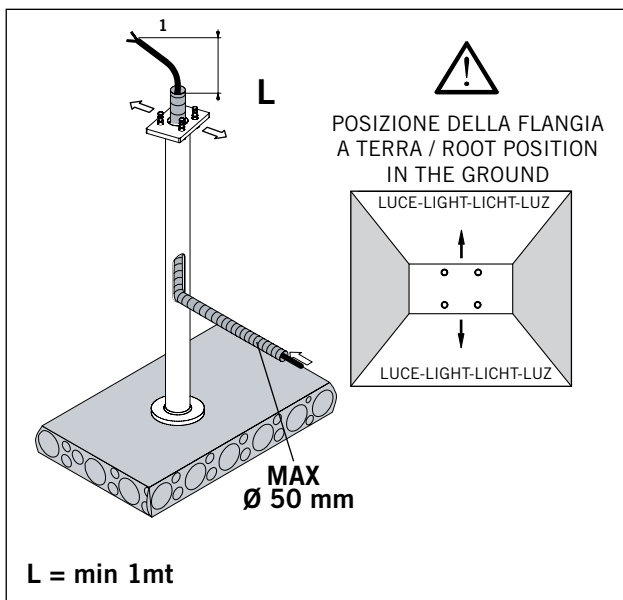
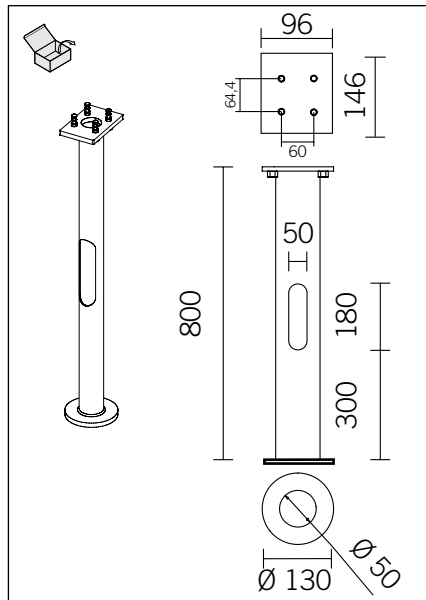


**FLANGIA / FLANGE**  
**EMBASE DE FIXATION / EINGIESSANKER**  
**S.7109**

**SIMES**



**SIMES S.p.A. VIA G. PASTORE 2/4 - 25040 CORTE FRANCA (BRESCIA) - ITALY**  
**TEL. +39 0309860430 - FAX +39 0309860439**  
**E-mail: simes@simes.it - http://www.simes.it**

We reserve the right to change specifications without prior written notice

ISTRFLAPARK REV.0 09/12