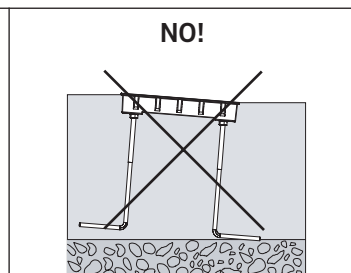
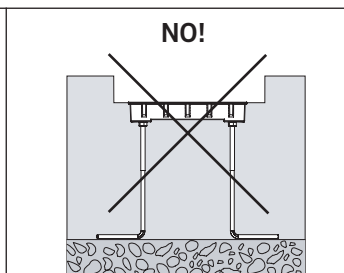
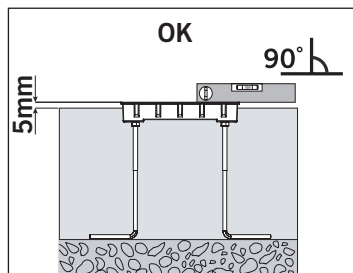
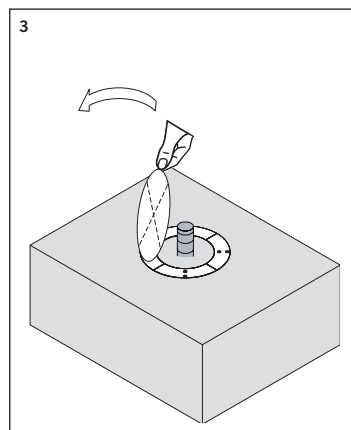
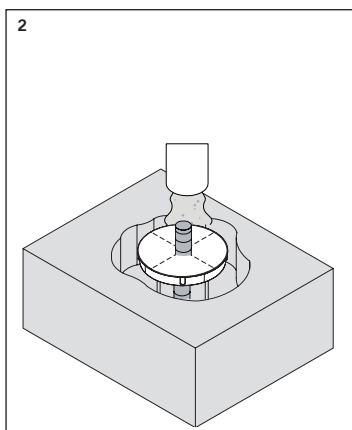
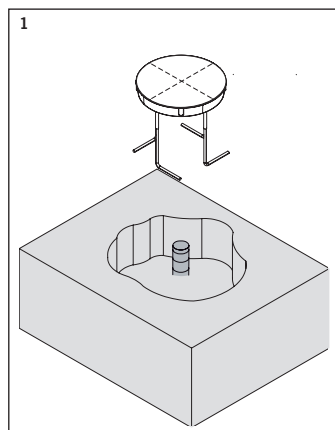
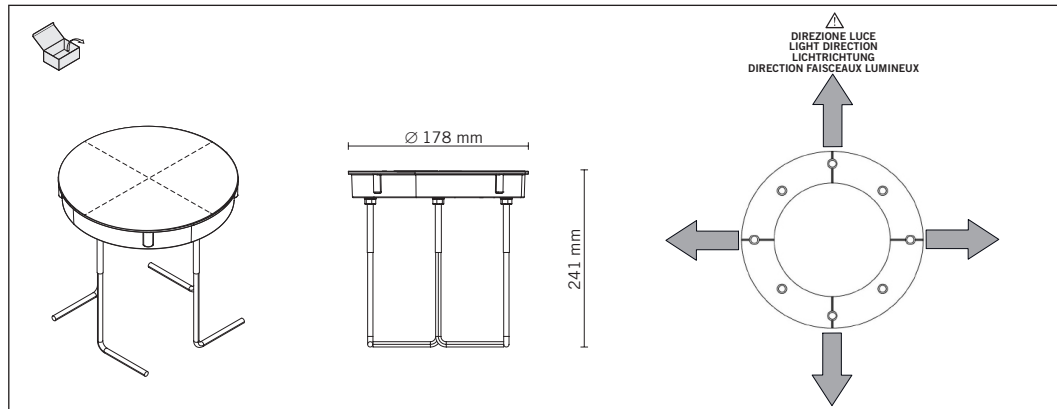


FLANGIA / FLANGE EMBASE DE FIXATION / EINGIESSANKER

SIMES

S.5310



SIMES S.p.A. VIA G. PASTORE 2/4 - 25040 CORTE FRANCA (BRESCIA) - ITALY
 TEL. +39 0309860430 - FAX +39 0309860439
 E-mail: simes@simes.it - <http://www.simes.it>

We reserve the right to change specifications without prior written notice

ISTRFLAMINKUBE REV.1 07/20