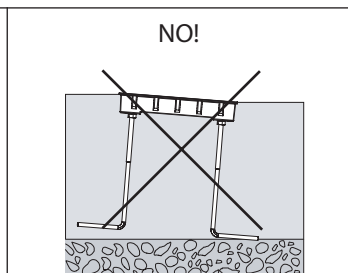
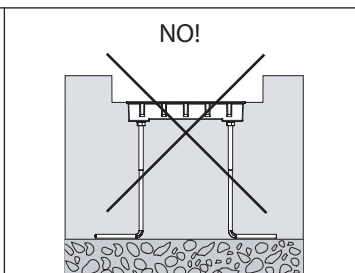
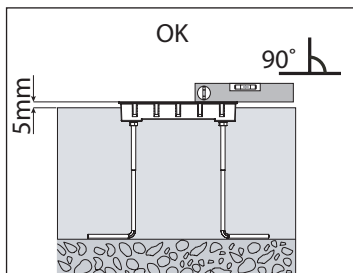
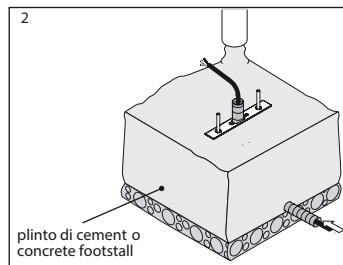
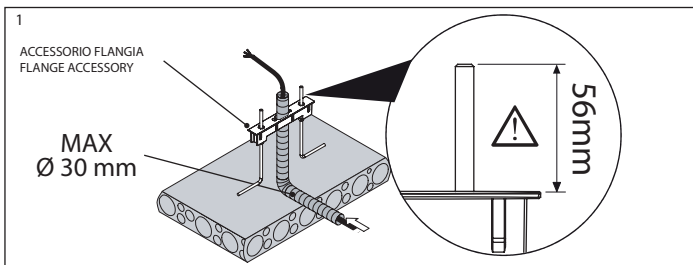
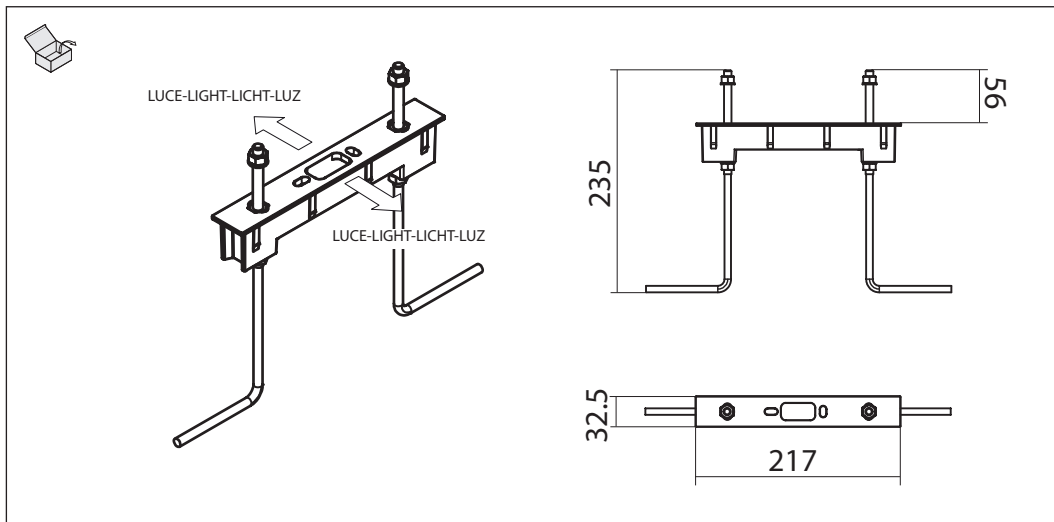


FLANGIA / FLANGE
EMBASE DE FIXATION / EINGIESSANKER

SIMES

S.7249



SIMES S.p.A. VIA G. PASTORE 2/4 - 25040 CORTE FRANCA (BRESCIA) - ITALY

TEL. +39 0309860430 - FAX +39 0309860439

E-mail: simes@simes.it - <http://www.simes.it>

We reserve the right to change specifications without prior written notice

ISTRFLALOOK REV.1 03/20