



Tonight is a bollard with an essential design particularly suitable for urban applications. It is characterised by a very slim pole head where the glass is positioned horizontally to protect the optical group that is totally hidden from sight. The opal prismatic glass grant a very uniform light distribution, whilst the milled diffuser absorbs any stray light to assure good visual comfort. Tonight is available in two different dimensions, two heights, with two lighting distributions (180° and 360°).

TECHNICAL DESCRIPTION

Extruded aluminium profile, die-cast aluminium housing with high corrosion resistance. Micro etched prismatic glass diffuser. Stainless steel A4 screws. Luminaire supplied with neoprene H05RN-F cable and connector. Silicone gaskets. Double powder paint.

**PATENTED
REGISTERED DESIGN**

PROTECTION CLASS
IP65

ISOLATION CLASS
CLASS II ☐

MECHANICAL RESISTANCE
IK 09

COLOUR

.24 Anthracite Grey



www.simes.it/tonight

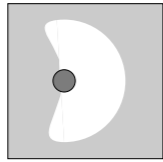
TONIGHT Ø 200 mm

SIMES

TONIGHT Ø 250 mm

SIMES

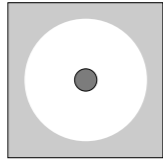
180° H 220mm



S.2100W
LED MODULE **3000K** CRI90 2326lm 12W
(on request 2700K CRI90 2209lm)
(on request 4000K CRI80 2674lm)
220V-240Vac 50/60Hz
ON/OFF Not Dimmable

Version with DALI 2 power supply
available on request with surcharge.

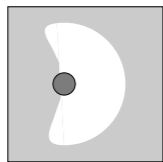
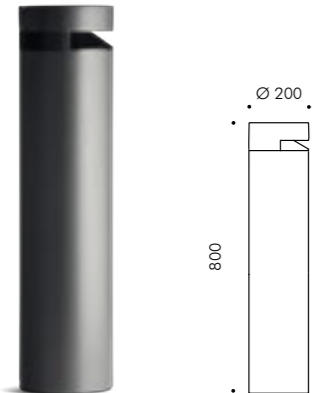
360° H 220mm



S.2101W
LED MODULE **3000K** CRI90 4652lm 23,9W
(on request 2700K CRI90 4418lm)
(on request 4000K CRI80 5348lm)
220V-240Vac 50/60Hz
ON/OFF Not Dimmable

Version with DALI 2 power supply
available on request with surcharge.

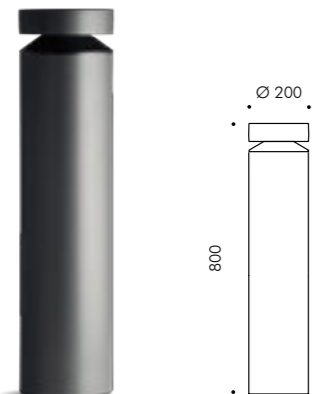
180° H 800mm



S.2110W
LED MODULE **3000K** CRI90 2326lm 12W
(on request 2700K CRI90 2209lm)
(on request 4000K CRI80 2674lm)
220V-240Vac 50/60Hz
ON/OFF Not Dimmable

Version with DALI 2 power supply
available on request with surcharge.

360° H 800mm



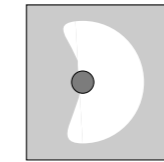
S.2111W
LED MODULE **3000K** CRI90 4652lm 23,9W
(on request 2700K CRI90 4418lm)
(on request 4000K CRI80 5348lm)
220V-240Vac 50/60Hz
ON/OFF Not Dimmable

Version with DALI 2 power supply
available on request with surcharge.



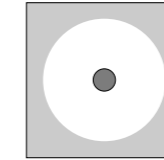
S.4171
FLANGE FOR TONIGHT Ø 200mm
Flange to be anchored in concrete

180° H 275mm



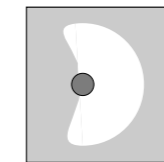
S.2113W
LED MODULE **3000K** CRI90 4071lm 20,9W
(on request 2700K CRI90 3867lm)
(on request 4000K CRI80 4681lm)
220V-240Vac 50/60Hz
Dimmable DALI

360° H 275mm



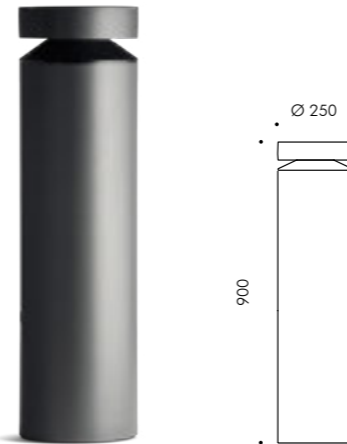
S.2114W
LED MODULE **3000K** CRI90 8142lm 41,9W
(on request 2700K CRI90 7734lm)
(on request 4000K CRI80 9363lm)
220V-240Vac 50/60Hz
Dimmable DALI

180° H 900mm



S.2115W
LED MODULE **3000K** CRI90 4071lm 20,9W
(on request 2700K CRI90 3867lm)
(on request 4000K CRI80 4681lm)
220V-240Vac 50/60Hz
Dimmable DALI

360° H 900mm



S.2116W
LED MODULE **3000K** CRI90 8142lm 41,9W
(on request 2700K CRI90 7734lm)
(on request 4000K CRI80 9363lm)
220V-240Vac 50/60Hz
Dimmable DALI



S.2119
FLANGE FOR TONIGHT Ø 250mm
Flange to be anchored in concrete

