

Pivot is a family of unconventional spotlights totally adjustable on the three axes, able to direct its beam at any point in the space. The peculiarity of Pivot is the extreme versatility, guaranteed by the easy change of the optical filters: from Spot 10°, to Flood 31°, to Wide Flood 60°, up to the Elliptical 10° x 60°. These filters are interchangeable by directly accessing the optics and removing the front visor. Everything is conducted without losing the IP rating of the spotlight. With its long and thin shape, Pivot stands as a light and flexible tool at the service of the scene to be illuminated. Pivot is offered with thin base, in current max 850mA and requires the remote power supply, while Pivot 230V is proposed with standard base housing the power supply.

**TECHNICAL DESCRIPTION**

Die-cast aluminium housing with high corrosion resistance. Clear toughened glass 4 mm thick. Not visible Stainless steel A4 screws. Silicone gaskets. Double powdered paint.

**PIVOT 850mA**

Luminaire supplied with 5,0m bipolar flat cable for remote connection.

**PIVOT TUNABLE WHITE**

Luminaire supplied with 5,0m quadripolar cable for remote connection.

**PIVOT 230V**

Luminaire supplied with 5,0m neoprene H05RN-F cable for remote connection.

**PROTECTION CLASS**  
IP66

**ISOLATION CLASS**

CLASS III ⚡ PIVOT 850mA / PIVOT 24V  
CLASS I ⚡ PIVOT 230V

**MECHANICAL RESISTANCE**

IK 07

**COLOUR**

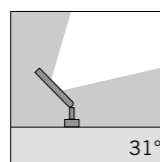
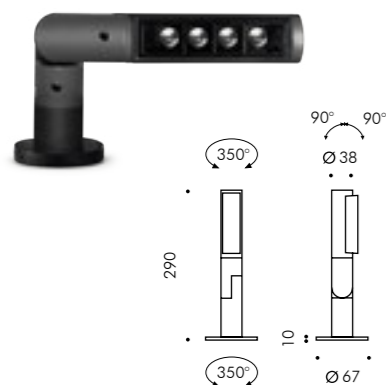
.24 Anthracite Grey

REGISTERED DESIGN  
PATENT PENDING



www.simes.it/pivot

4LED with flat base (850mA)

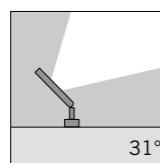
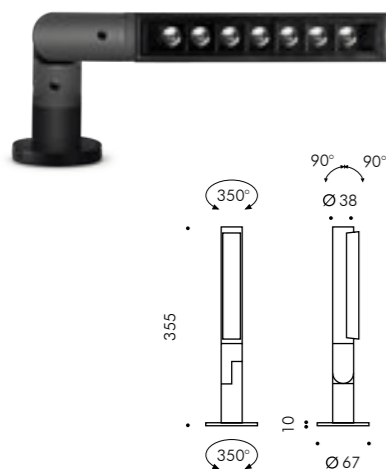


**S.1751W Flood beam with lenses**  
 LED MODULE 3000K CRI90 874lm 9,3W  
 (on request 2700K CRI90 830lm)  
 (on request 4000K CRI80 1068lm)  
 max 850mA (Vf 12,8V)

Requires constant current Vout 120Vdc max  
 remote power supply (page 524-525)

Code	Beam filter accessories for Pivot 4 LED
S.1752	Spot 10°
S.1753	Wide Flood 60°
S.1754	Elliptical 60° x 10°

7 LED with flat base (850mA)

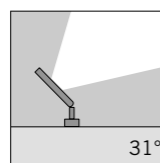
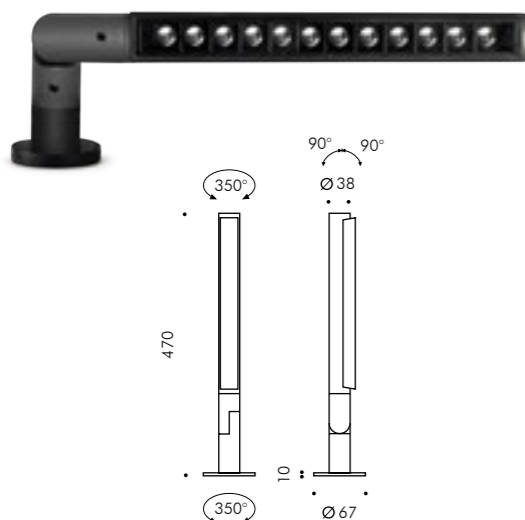


**S.1761W Flood beam with lenses**  
 LED MODULE 3000K CRI90 1530lm 16,4W  
 (on request 2700K CRI90 1453lm)  
 (on request 4000K CRI80 1870lm)  
 max 850mA (Vf 22,4V)

Requires constant current Vout 120Vdc max  
 remote power supply (page 524-525)

Code	Beam filter accessories for Pivot 7 LED
S.1762	Spot 10°
S.1763	Wide Flood 60°
S.1764	Elliptical 60° x 10°

12 LED with flat base (850mA)



**S.1771W Flood beam with lenses**  
 LED MODULE 3000K CRI90 2622lm 28,0W  
 (on request 2700K CRI90 2490lm)  
 (on request 4000K CRI80 3205lm)  
 max 850mA (Vf 38,4V)

Requires constant current Vout 120Vdc max  
 remote power supply (page 524-525)

Code	Beam filter accessories for Pivot 12 LED
S.1772	Spot 10°
S.1773	Wide Flood 60°
S.1774	Elliptical 60° x 10°

Accessory



**S.1768**  
**STAKE FOR PIVOT 850mA / 24V PWM**  
 in polypropylene  
 Colour: black (code 09)

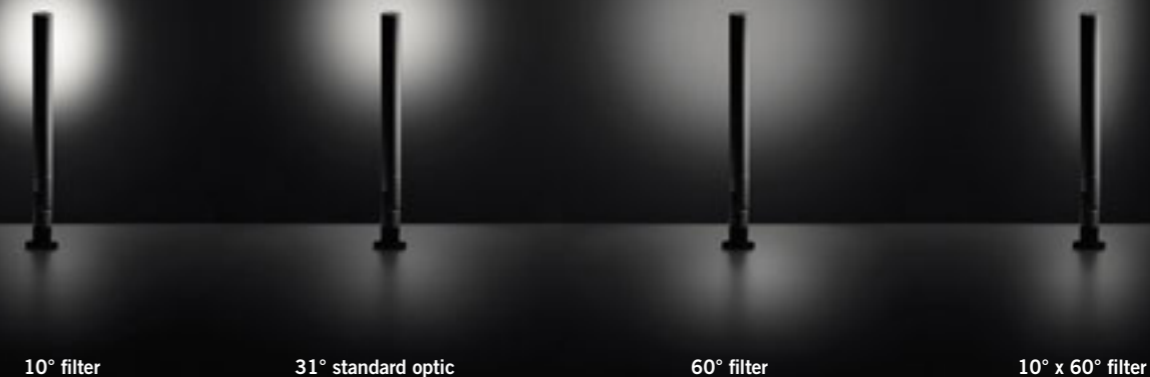
PIVOT,  
 THE SYNTHESIS OF DESIGN  
 AND PERFORMANCE

The Pivot luminaire is composed of a cylindrical lighting body containing the LED source, and is furthermore completed by a separate frontal visor. Specially designed to house the cowel for each LED, it ensures glare-free beams and perfectly contoured light projections.

This black protruding frontal visor considerably increases the technical possibilities of the product: thanks to various optional filters, it allows to provide different light beams, switching Pivot from a 10° Spot beam, for aiming elements at a distance, to a 31° Flood beam or 60° Wide Flood beam for large subjects, and once again to an Elliptical beam 10° x 60° for thin elements.



VARIOUS BEAMS OBTAINED WITH DIFFERENT OPTICAL FILTER ACCESSORIES



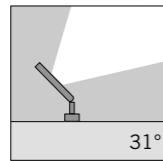
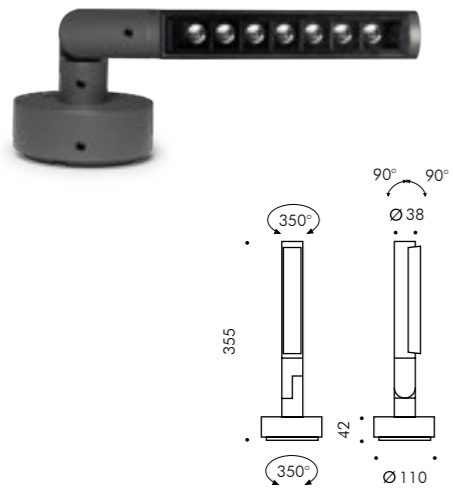
10° filter

31° standard optic

60° filter

10° x 60° filter

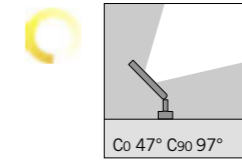
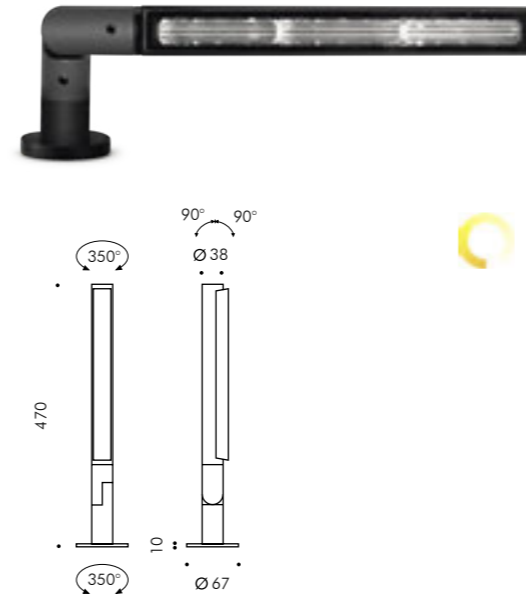
7 LED with base (power supply integrated)



**S.1766W Flood beam with lenses**  
 LED MODULE 3000K CRI90 1530lm 22W  
 (on request 2700K CRI90 1453lm)  
 (on request 4000K CRI80 1870lm)  
 220V-240Vac 50/60Hz  
 ON/OFF Not Dimmable

Code	Beam filter accessories for Pivot 7 LED
S.1762	Spot 10°
S.1763	Wide Flood 60°
S.1764	Elliptical 60° x 10°

LED TUNABLE WHITE with flat base (24V PWM)

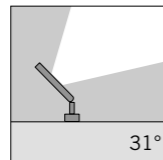
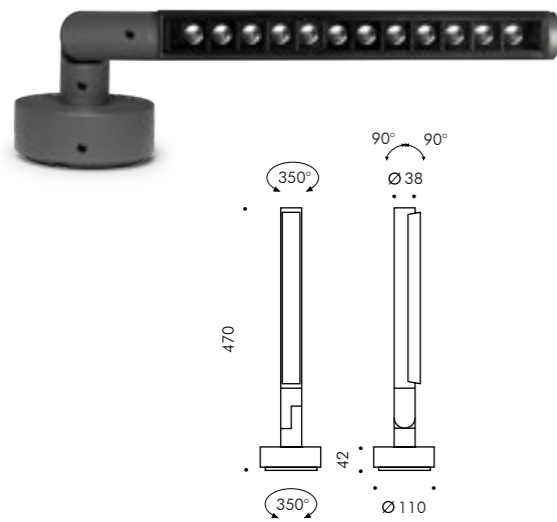


**S.1777T Simmetrical optic with lenses**  
 LED MODULE TUNABLE WHITE 2700K-4000K  
 CRI90 1908lm 12W  
 24V PWM

Requires constant voltage remote power supply for TUNABLE WHITE and DMX or DALI controllers (pag. 526-527).

The optical filter accessories are not suitable for this version

12 LED with base (power supply integrated)



**S.1776W Flood beam with lenses**  
 LED MODULE 3000K CRI90 2622lm 28,0W  
 (on request 2700K CRI90 2490lm)  
 (on request 4000K CRI80 3205lm)  
 220V-240Vac 50/60Hz  
 ON/OFF Not Dimmable

Code	Beam filter accessories for Pivot 12 LED
S.1772	Spot 10°
S.1773	Wide Flood 60°
S.1774	Elliptical 60° x 10°

**Accessory**

**S.1768**  
**STAKE FOR PIVOT 850mA / 24V PWM**  
 in polypropylene  
 Colour: black (code 09)



**Accessory**

**S.1319**  
**STAKE FOR PIVOT 230V**  
 in polypropylene  
 Colour: black (code 09)



Pivot 850mA version or 24V PWM version with thin base can be installed on  $\varnothing 60\text{mm}$  or  $\varnothing 76\text{mm}$  poles using the pole adaptor.

**Accessory**

S.1758

**POLE ADAPTOR  $\varnothing 60/76\text{mm}$**   
for PIVOT 850mA or 24V PWM  
Colour: black (cod .09)



Simes headquarter, Corte Franca, Brescia, Italy - Artwork - Stefano Bombardieri © Ph. Mario Bertani