



Stainless steel

Aluminium



Fixed optic



Adjustable optic



Catch recessed

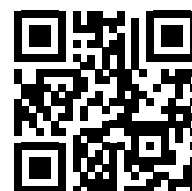
Downlight comfort optic

Catch is an innovative square and rectangular downlight range that combines great visual comfort, minimalist dimensions and adjustability thanks to its tilting optical base.

Through the use of state-of-the-art cowls the optical system is glare free highlighting the importance of visual comfort required when using LED sources.

The reduced recessed dimensions allows for shallow depth installations and the remote drivers provides a quick and easy install, with DALI options available on request. The adjustable version of Catch can be installed either flush with the external trim or with a limited protrusion allowing greater tilt adjustability and improved beam angle precision.

Catch is available in fixed or adjustable version with aluminium or stainless steel trim with improved aesthetics and suitable for more extreme applications.





Casa Y, Pino Torinese, Torino, Italy © Arch. Luca Maria Gandini ph. Mario Bertani

CATCH RECESSED Downlight comfort optic

Die-cast EN AB-47100 aluminium housing with high corrosion resistance. Aluminium or marine grade stainless steel AISI 316L. Clear polycarbonate lenses. Toughened glass 5mm thick. Stainless steel screws. Pre-wired luminaire with 0,4m of neoprene cable.
Double powder paint.

Protection class
IP65

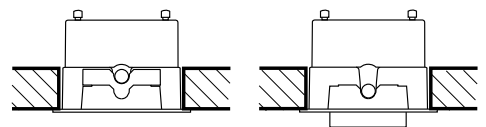
Isolation class
CLASS II

Mechanical resistance
IK 08

Leds 4000K CRI90 versions are available on request.

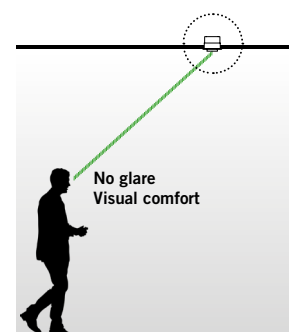
Adjustable optic

Catch adjustable can be installed perfectly flush to the trim or with a slight protrusion of 15mm of the optics.



Comfortable Optics

The sophisticated optics focuses the beam and makes the light comfortable by reducing the direct glare of the light source.



CATCH adjustable optic finishing:

- Front ring-body Aluminium grey (code 14)
- Front ring-body White (code 01)
- Stainless steel front ring and black painted body (code 19)

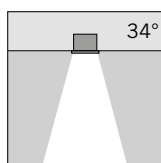
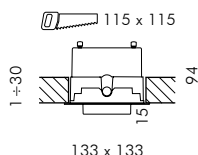
CATCH fixed optic finishing:

- Front ring-body Aluminium grey (code 14)
- Front ring-body in White (code 01)
- Stainless steel front ring and black painted body (code 19)

For the latest technical information and luminaire updates with LED technology please refer to www.simes.it

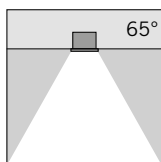
REGISTERED DESIGN

Aluminium front ring



S.7400W □
 4 HIGH-POWER LEDs **3000K** CRI90 620lm
 Rated luminaire luminous flux 448lm
 Rated input power 7,6W
 220V-240V AC 50/60Hz / DC Not Dimmable
 Adjustable ±20°

h(m)	34°	
	Ø(m)	E(lx)
1	0.60	1254
2	1.21	314
3	1.81	139
4	2.42	78
5	3.02	50

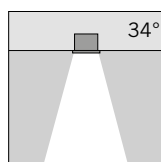
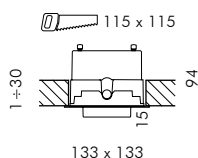


S.7401W □
 4 HIGH-POWER LEDs **3000K** CRI90 620lm
 Rated luminaire luminous flux 415lm
 Rated input power 7,6W
 220V-240V AC 50/60Hz / DC Not Dimmable
 Adjustable ±20°

h(m)	65°	
	Ø(m)	E(lx)
1	1.27	399
2	2.55	100
3	3.82	44
4	5.10	25
5	6.37	16

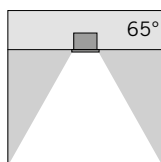
**Beam lenses available on request with no surcharge:
 7°, 10°x44°**

Stainless steel front ring



S.7405W.19 □
 4 HIGH-POWER LEDs **3000K** CRI90 620lm
 Rated luminaire luminous flux 448lm
 Rated input power 7,6W
 220V-240V AC 50/60Hz / DC Not Dimmable
 Adjustable ±20°

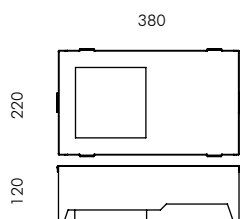
h(m)	34°	
	Ø(m)	E(lx)
1	0.60	1254
2	1.21	314
3	1.81	139
4	2.42	78
5	3.02	50



S.7406W.19 □
 4 HIGH-POWER LEDs **3000K** CRI90 620lm
 Rated luminaire luminous flux 415lm
 Rated input power 7,6W
 220V-240V AC 50/60Hz / DC Not Dimmable
 Adjustable ±20°

h(m)	65°	
	Ø(m)	E(lx)
1	1.27	399
2	2.55	100
3	3.82	44
4	5.10	25
5	6.37	16

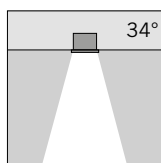
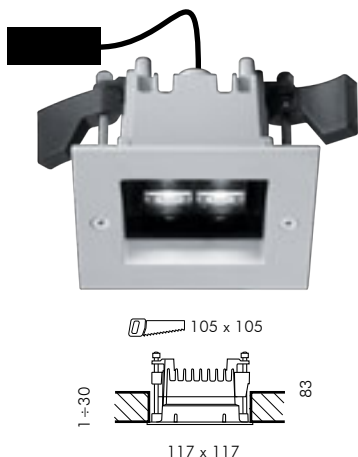
**Beam lenses available on request with no surcharge:
 7°, 10°x44°**



S.7409
HOUSING FOR CONCRETE CEILINGS
 for CATCH SQUARE 4 LED ADJUSTABLE OPTIC
 Dim. 220 x 380 x 120mm
 Hole 115 x 115mm

CATCH RECESSED SQUARE 4 LED Fixed optic

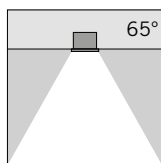
Aluminium front ring



S.7410W

4 HIGH-POWER LEDs **3000K** CRI90 840lm
 Rated luminaire luminous flux 582lm
 Rated input power 10,3W
 220V-240V AC 50/60Hz / DC Not Dimmable
 Led position fixed

h(m)	34°	
	Ø(m)	E(lx)
1	0.60	1629
2	1.21	407
3	1.81	181
4	2.42	102
5	3.02	65



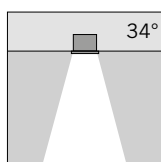
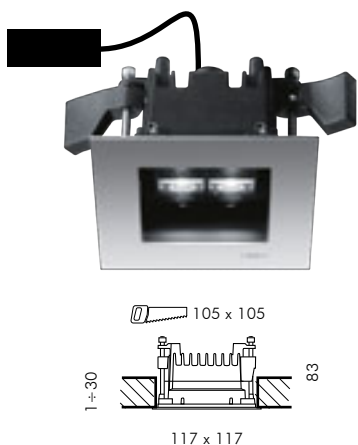
S.7411W

4 HIGH-POWER LEDs **3000K** CRI90 840lm
 Rated luminaire luminous flux 589lm
 Rated input power 10,3W
 220V-240V AC 50/60Hz / DC Not Dimmable
 Led position fixed

h(m)	65°	
	Ø(m)	E(lx)
1	1.27	566
2	2.55	142
3	3.82	63
4	5.10	35
5	6.37	23

**Beam lenses available on request with no surcharge:
 7°, 10°x44°**

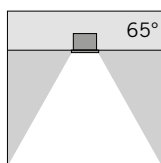
Stainless steel front ring



S.7415W.19

4 HIGH-POWER LEDs **3000K** CRI90 840lm
 Rated luminaire luminous flux 582lm
 Rated input power 10,3W
 220V-240V AC 50/60Hz / DC Not Dimmable
 Led position fixed

h(m)	34°	
	Ø(m)	E(lx)
1	0.60	1629
2	1.21	407
3	1.81	181
4	2.42	102
5	3.02	65

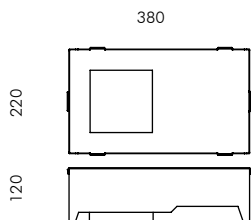


S.7416W.19

4 HIGH-POWER LEDs **3000K** CRI90 840lm
 Rated luminaire luminous flux 589lm
 Rated input power 10,3W
 220V-240V AC 50/60Hz / DC Not Dimmable
 Led position fixed

h(m)	65°	
	Ø(m)	E(lx)
1	1.27	566
2	2.55	142
3	3.82	63
4	5.10	35
5	6.37	23

**Beam lenses available on request with no surcharge:
 7°, 10°x44°**



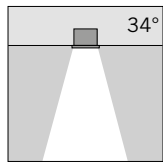
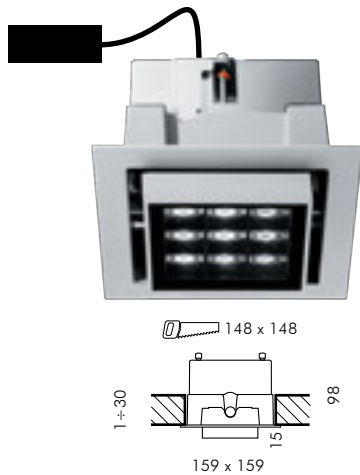
S.7419

HOUSING FOR CONCRETE CEILINGS
 for CATCH SQUARE 4 LED FIXED OPTIC
 Dim. 220 x 380 x 120mm
 Hole 105 x 105mm



CATCH RECESSED SQUARE 9 LED Adjustable optic

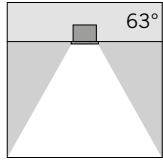
Aluminium front ring



S.7420W

9 HIGH-POWER LEDs **3000K** CRI90 1390lm
 Rated luminaire luminous flux 985lm
 Rated input power 15W
 220V-240V AC 50/60Hz / DC Not Dimmable
 Adjustable $\pm 20^\circ$ optic

h(m)	34°	
	Ø(m)	E(lx)
1	0.60	2719
2	1.21	680
3	1.81	302
4	2.42	170
5	3.02	109



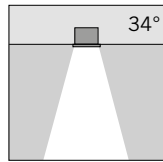
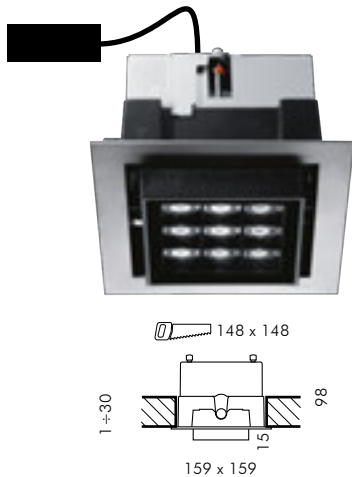
S.7421W

9 HIGH-POWER LEDs **3000K** CRI90 1390lm
 Rated luminaire luminous flux 761lm
 Rated input power 15W
 220V-240V AC 50/60Hz / DC Not Dimmable
 Adjustable $\pm 20^\circ$ optic

h(m)	63°	
	Ø(m)	E(lx)
1	1.24	752
2	2.48	188
3	3.72	84
4	4.96	47
5	6.20	30

**Beam lenses available on request with no surcharge:
 7°, 10°x44°**

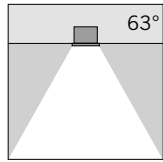
Stainless steel front ring



S.7425W.19

9 HIGH-POWER LEDs **3000K** CRI90 1390lm
 Rated luminaire luminous flux 985lm
 Rated input power 15W
 220V-240V AC 50/60Hz / DC Not Dimmable
 Adjustable $\pm 20^\circ$ optic

h(m)	34°	
	Ø(m)	E(lx)
1	0.60	2719
2	1.21	680
3	1.81	302
4	2.42	170
5	3.02	109

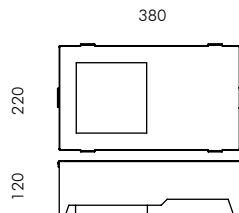


S.7426W.19

9 HIGH-POWER LEDs **3000K** CRI90 1390lm
 Rated luminaire luminous flux 761lm
 Rated input power 15W
 220V-240V AC 50/60Hz / DC Not Dimmable
 Adjustable $\pm 20^\circ$ optic

h(m)	63°	
	Ø(m)	E(lx)
1	1.24	752
2	2.48	188
3	3.72	84
4	4.96	47
5	6.20	30

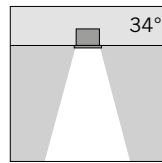
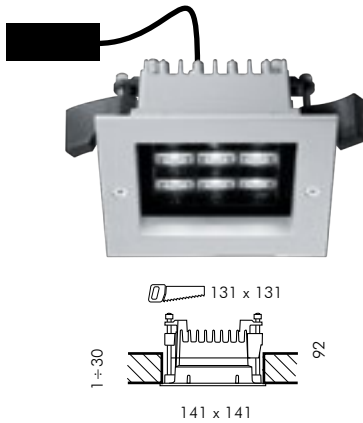
**Beam lenses available on request with no surcharge:
 7°, 10°x44°**



S.7429

HOUSING FOR CONCRETE CEILINGS
 for CATCH SQUARE 9 LED ADJUSTABLE OPTIC
 Dim. 220 x 380 x 120mm
 Hole 148 x 148mm

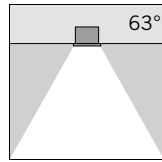
Aluminium front ring



S.7430W □

9 HIGH-POWER LEDs **3000K** CRI90 1890lm
 Rated luminaire luminous flux 1329lm
 Rated input power 20,7W
 220V-240V AC 50/60Hz / DC Not Dimmable
 Led position fixed

h(m)	34°	
	Ø(m)	E(lx)
1	0.60	3644
2	1.21	911
3	1.81	405
4	2.42	228
5	3.02	146



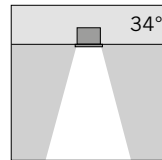
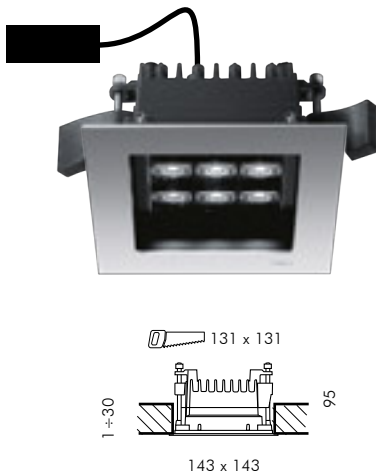
S.7431W □

9 HIGH-POWER LEDs **3000K** CRI90 1890lm
 Rated luminaire luminous flux 1027lm
 Rated input power 20,7W
 220V-240V AC 50/60Hz / DC Not Dimmable
 Led position fixed

h(m)	63°	
	Ø(m)	E(lx)
1	1.24	1009
2	2.48	252
3	3.72	112
4	4.96	63
5	6.20	40

**Beam lenses available on request with no surcharge:
 7°, 10°x44°**

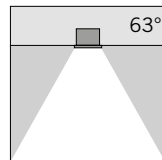
Stainless steel front ring



S.7435W.19 □

9 HIGH-POWER LEDs **3000K** CRI90 1890lm
 Rated luminaire luminous flux 1329lm
 Rated input power 20,7W
 220V-240V AC 50/60Hz / DC Not Dimmable
 Led position fixed

h(m)	34°	
	Ø(m)	E(lx)
1	0.60	3644
2	1.21	911
3	1.81	405
4	2.42	228
5	3.02	146

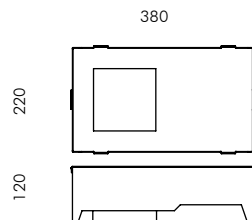


S.7436W.19 □

9 HIGH-POWER LEDs **3000K** CRI90 1890lm
 Rated luminaire luminous flux 1027lm
 Rated input power 20,7W
 220V-240V AC 50/60Hz / DC Not Dimmable
 Led position fixed

h(m)	63°	
	Ø(m)	E(lx)
1	1.24	1009
2	2.48	252
3	3.72	112
4	4.96	63
5	6.20	40

**Beam lenses available on request with no surcharge:
 7°, 10°x44°**

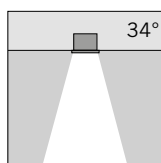
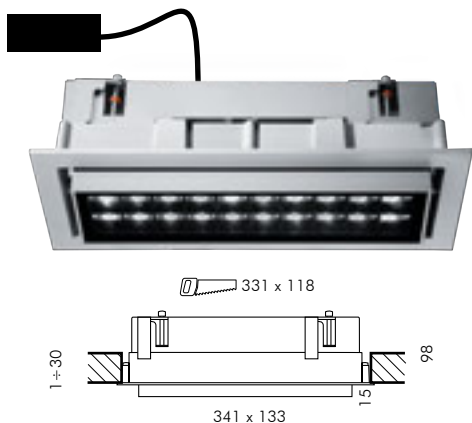


S.7439

HOUSING FOR CONCRETE CEILINGS
 for CATCH SQUARE 9 LED FIXED OPTIC
 Dim. 220 x 380 x 120mm
 Hole 131 x 131mm

CATCH RECESSED RECTANGULAR 20 LED Adjustable optic

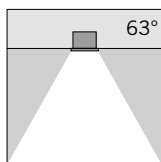
Aluminium front ring



S.7460W □

20 HIGH-POWER LEDs **3000K** CRI90 3140lm
 Rated luminaire luminous flux 2281lm
 Rated input power 32W
 220V-240V AC 50/60Hz / DC Not Dimmable
 Adjustable $\pm 20^\circ$ optic

h(m)	34°	
	Ø(m)	E(lx)
1	0.62	6177
2	1.23	1544
3	1.85	686
4	2.46	386
5	3.08	247



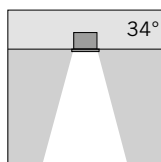
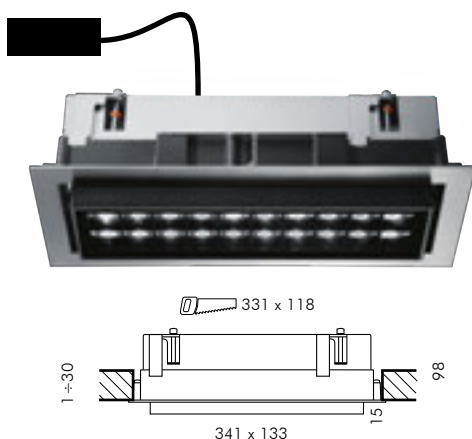
S.7461W □

20 HIGH-POWER LEDs **3000K** CRI90 3140lm
 Rated luminaire luminous flux 1815lm
 Rated input power 32W
 220V-240V AC 50/60Hz / DC Not Dimmable
 Adjustable $\pm 20^\circ$ optic

h(m)	63°	
	Ø(m)	E(lx)
1	1.23	1835
2	2.46	459
3	3.69	204
4	4.92	115
5	6.15	73

**Beam lenses available on request with no surcharge:
 7°, 10°x44°**

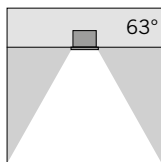
Stainless steel front ring



S.7465W.19 □

20 HIGH-POWER LEDs **3000K** CRI90 3140lm
 Rated luminaire luminous flux 2281lm
 Rated input power 32W
 220V-240V AC 50/60Hz / DC Not Dimmable
 Adjustable $\pm 20^\circ$ optic

h(m)	34°	
	Ø(m)	E(lx)
1	0.62	6177
2	1.23	1544
3	1.85	686
4	2.46	386
5	3.08	247

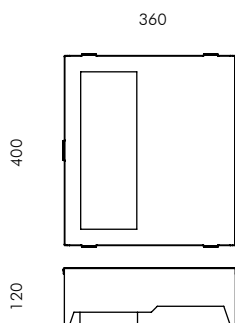


S.7466W.19 □

20 HIGH-POWER LEDs **3000K** CRI90 3140lm
 Rated luminaire luminous flux 1815lm
 Rated input power 32W
 220V-240V AC 50/60Hz / DC Not Dimmable
 Adjustable $\pm 20^\circ$ optic

h(m)	63°	
	Ø(m)	E(lx)
1	1.23	1835
2	2.46	459
3	3.69	204
4	4.92	115
5	6.15	73

**Beam lenses available on request with no surcharge:
 7°, 10°x44°**



S.7469

HOUSING FOR CONCRETE CEILINGS

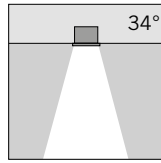
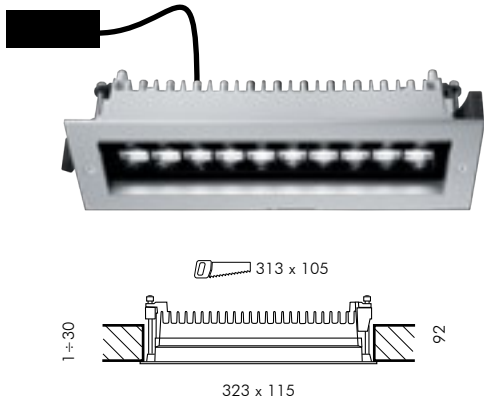
for CATCH RECTANGULAR 20 LED ADJUSTABLE OPTIC

Dim. 400 x 360 x 120mm

Hole 331 x 118mm

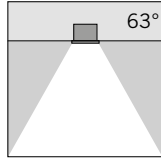
CATCH RECESSED RECTANGULAR 20 LED Fixed optic

Aluminium front ring



S.7470W □
 20 HIGH-POWER LEDs **3000K** CRI90 3140lm
 Rated luminaire luminous flux 2281lm
 Rated input power 32W
 220V-240V AC 50/60Hz / DC Not Dimmable
 Led position fixed

h(m)	34°	
	Ø(m)	E(lx)
1	0.62	6177
2	1.23	1544
3	1.85	686
4	2.46	386
5	3.08	247

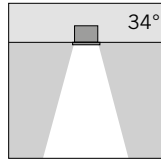
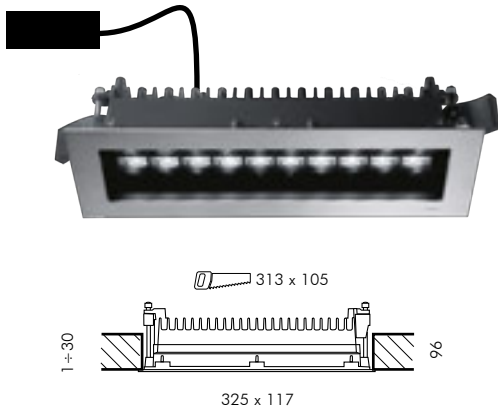


S.7471W □
 20 HIGH-POWER LEDs **3000K** CRI90 3140lm
 Rated luminaire luminous flux 1815lm
 Rated input power 32W
 220V-240V AC 50/60Hz / DC Not Dimmable
 Led position fixed

h(m)	63°	
	Ø(m)	E(lx)
1	1.23	1835
2	2.46	459
3	3.69	204
4	4.92	115
5	6.15	73

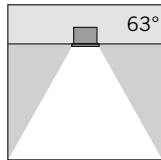
**Beam lenses available on request with no surcharge:
 7°, 10°x44°**

Stainless steel front ring



S.7475W.19 □
 20 HIGH-POWER LEDs **3000K** CRI90 3140lm
 Rated luminaire luminous flux 2281lm
 Rated input power 32W
 220V-240V AC 50/60Hz / DC Not Dimmable
 Led position fixed

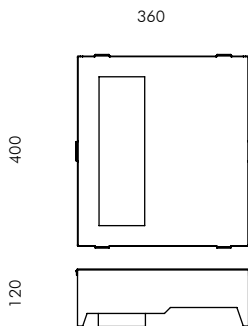
h(m)	34°	
	Ø(m)	E(lx)
1	0.62	6177
2	1.23	1544
3	1.85	686
4	2.46	386
5	3.08	247



S.7476W.19 □
 20 HIGH-POWER LEDs **3000K** CRI90 3140lm
 Rated luminaire luminous flux 1815lm
 Rated input power 32W
 220V-240V AC 50/60Hz / DC Not Dimmable
 Led position fixed

h(m)	63°	
	Ø(m)	E(lx)
1	1.23	1835
2	2.46	459
3	3.69	204
4	4.92	115
5	6.15	73

**Beam lenses available on request with no surcharge:
 7°, 10°x44°**



S.7479

HOUSING FOR CONCRETE CEILINGS
 for CATCH RECTANGULAR 20 LED FIXED OPTIC
 Dim. 400 x 360 x 120mm
 Hole 313 x 105mm