



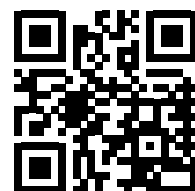


# Avenue

## Urban lighting

The first SIMES street lighting pole top. Essential in its forms and with a clean cut design the AVENUE is a fixture designed with an aluminium die cast housing that contains the latest state of the art LED technology. The compact size and reduced thickness of AVENUE give an elegant solution to what is usually a complex luminaire design issue. The innovative pole bracket allows for AVENUE to be positioned at any height and to adapt to different pole diameters. The advanced engineering of the optics place AVENUE at the top end of its category with an inter distance of 4 times the height of the pole.

(Lighting category ME4A- Service roads and roads outside urban areas).







Rome American Cemetery and Memorial, Nettuno, Italy © ph. Daniele Fratangeli

## AVENUE Cycle lane and street lighting


Die-cast EN AB-47100 aluminium housing, extruded EN AW-6060 aluminium structure with high corrosion resistance.  
 Clear toughened glass 5 mm thick.  
 Stainless steel screws.  
 Luminaire hard wired with single neoprene cable with cable gland.  
 On request with surcharge ballast to allow an automatic power and flux reduction without the need of any external control systems.  
 Silicone gaskets.  
**Double powder paint.**

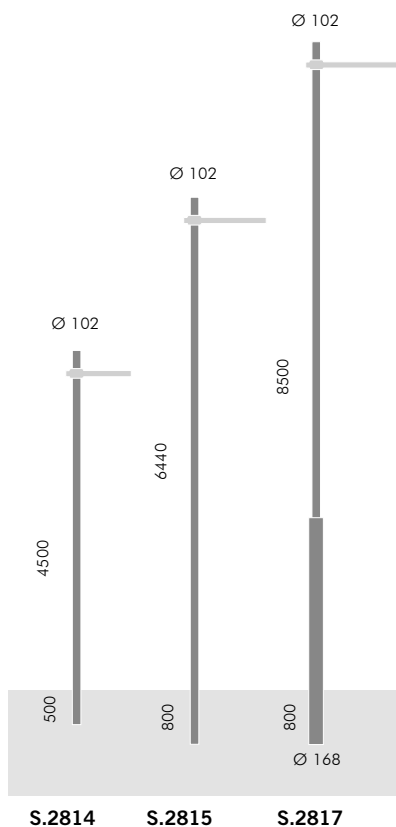
**Protection class**  
 IP66

**Isolation class**  
 CLASSE II 

**Mechanical resistance**  
 IK 07  


**PATENT PENDING**

**Colour:**  
 Anthracite grey (code 24)



*For the latest technical information and luminaire updates with LED technology please refer to [www.simes.it](http://www.simes.it)*

### S.2814

**CYLINDRICAL POLE Ø 102 mm TO BE BURIED for AVENUE cycle lane/pedestrian lighting**  
 Pole total height 5000 mm  
 To be buried for 500 mm

### S.2815

**CYLINDRICAL POLE Ø 102 mm TO BE BURIED for AVENUE Street lighting**  
 Pole total height 7240 mm  
 To be buried for 800 mm

### S.2817

**CYLINDRICAL SHAPED POLE Ø 168 mm / Ø 102 mm TO BE BURIED for AVENUE Street lighting**  
 Pole total height 9300 mm

### S.2809.24

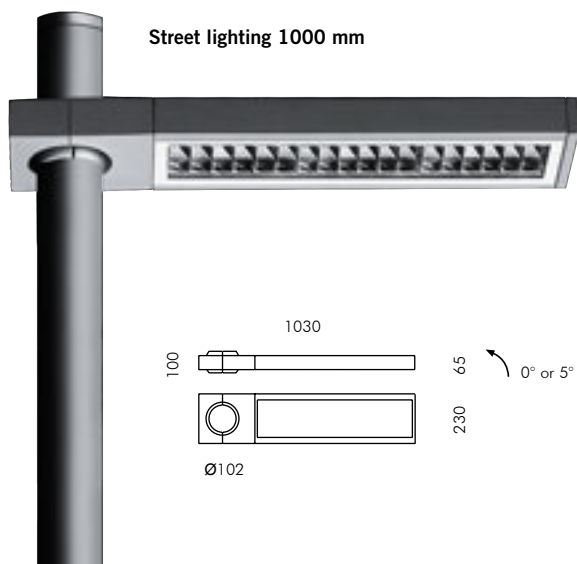
**POLE BASE COVER**  
 For pole with base and pole to be buried Ø102mm or Ø120mm.  
 Die-cast aluminium housing.



### S.2499

**SURGE PROTECTION DEVICE 10kV**  
 Surge protection devices are utilised to limit the damage of such electrical disturbances (temporary, transitional or permanent). Each fixture must be connected to one single device at a distance of no more than 10m away.



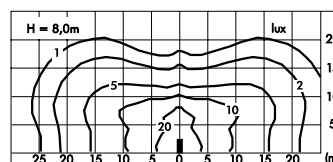
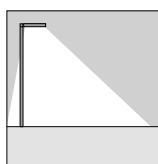


Luminaires  $\varnothing$  102mm

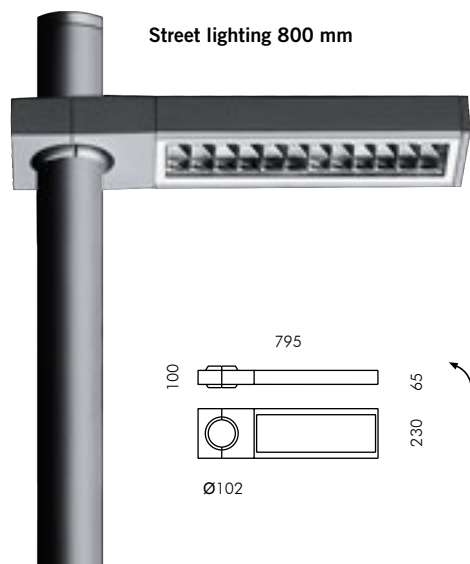
S.3090N

36 HIGH-POWER LEDs **4000K** CRI70 12615lm  
 Rated luminaire luminous flux 9976lm  
 Rated input power 107W  
 220V-240V AC 50/60Hz / DC Not Dimmable

Luminous flux wasted upward 0%.  
 Available on request for  $\varnothing$ 76mm cylindrical pole  
**Pole not included**



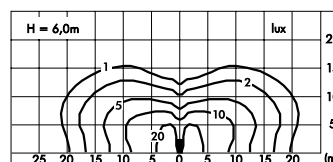
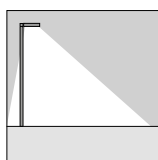
Example with S.3090N used on road category ME4a  
 Installation H = 8,0m, road width 8,0m  
 Spacing 34m ( $34m / 8m = 4.2$ )



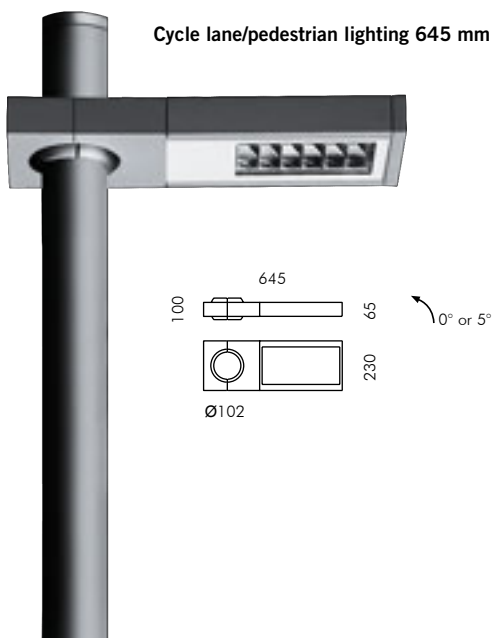
S.3091N

24 HIGH-POWER LEDs **4000K** CRI70 8900lm  
 Rated luminaire luminous flux 6364lm  
 Rated input power 73W  
 220V-240V AC 50/60Hz / DC Not Dimmable

Luminous flux wasted upward 0%.  
 Available on request for  $\varnothing$ 76mm cylindrical pole  
**Pole not included**



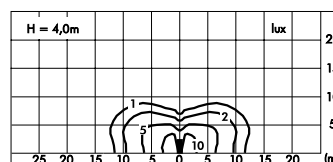
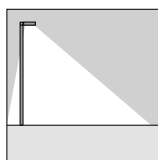
Example with S.3091N used on road category ME4b  
 Installation H = 6,0m, road width 6,0m  
 Spacing 27m ( $27m / 6m = 4.5$ )



S.3095N

12 HIGH-POWER LEDs **4000K** CRI70 2100lm  
 Rated luminaire luminous flux 1506lm  
 Rated input power 15W  
 220V-240V AC 50/60Hz / DC Not Dimmable

Luminous flux wasted upward 0%.  
 Available on request for  $\varnothing$ 76mm cylindrical pole  
**Pole not included**



Example with S.3095N used on road category S3  
 Installation H = 4,0m, road width 3,0m  
 Spacing 17m ( $17m / 4m = 4.2$ )