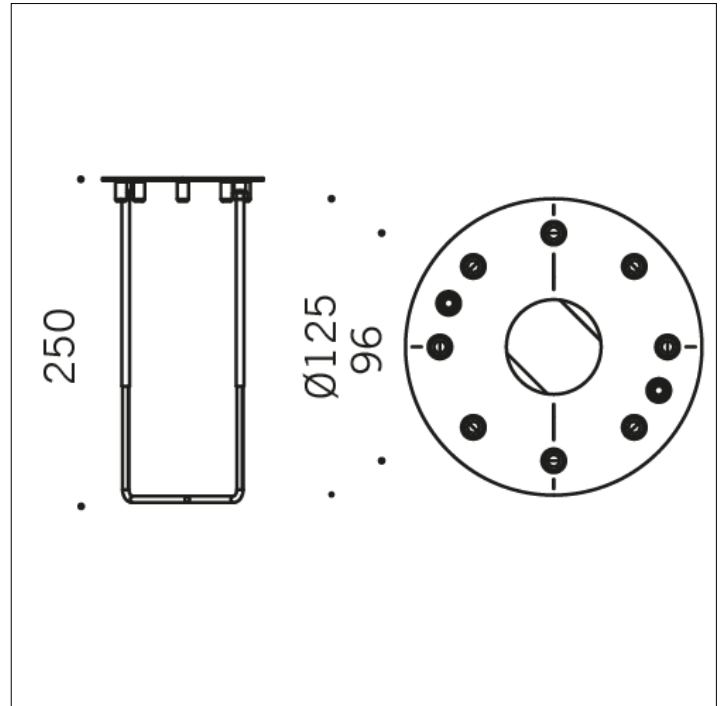
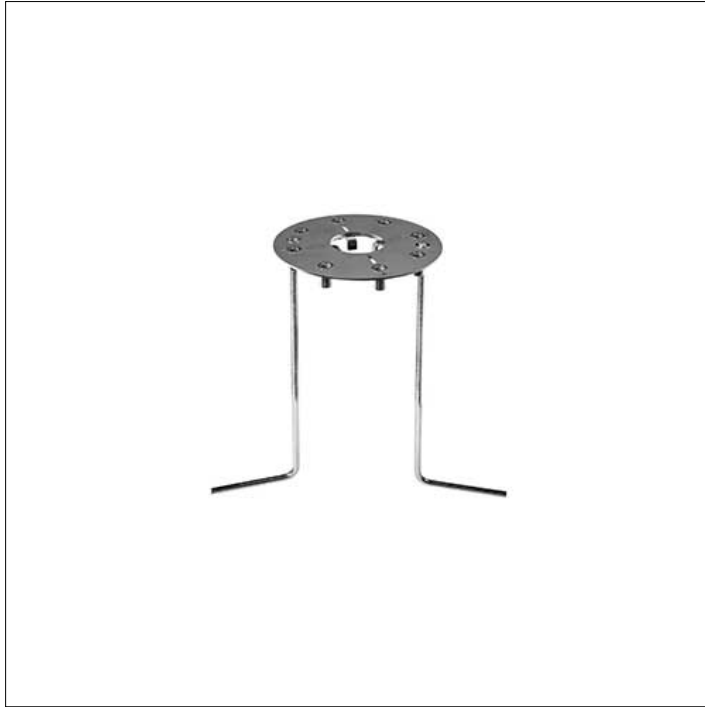


## ACCESSOIRE

**S.5680  
ANCHOR FLANGE TO BE CEMENTED TO THE  
GROUND**

For applications in driveways areas, the luminaire must be installed with its proper anchor flange. The flange is provided with the necessary fixing A4 screws in stainless steel.