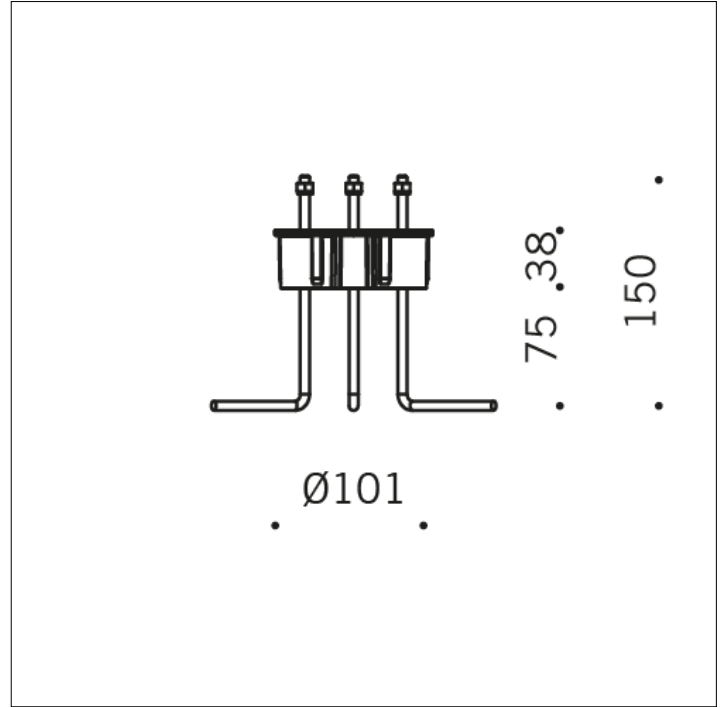
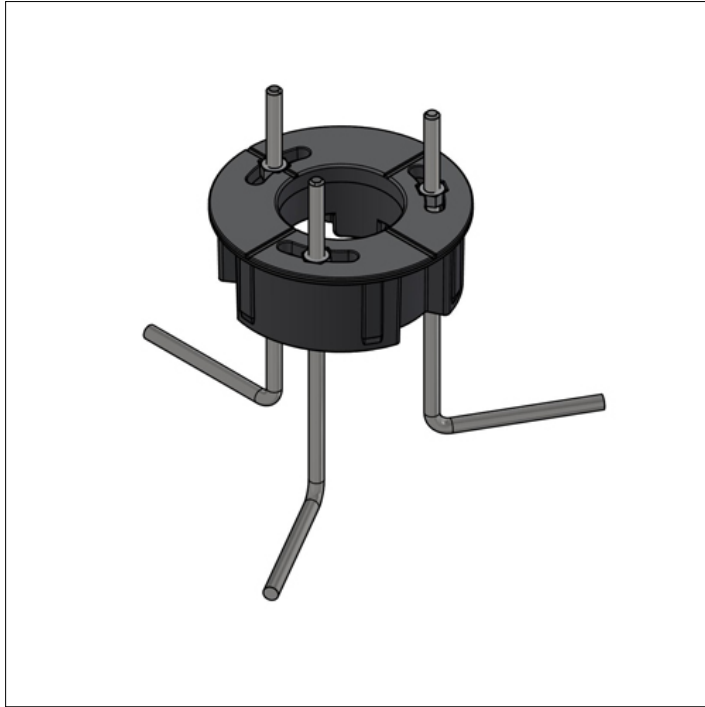


ACCESSORY

**S.2149
FLANGE**

Flange $\text{Ø} 102\text{mm}$ to be fixed in concrete with stainless steel screws for fixing in the ground. Footstall dimension can be calculated according to your country norms and ground properties.

Accessory available in the following colors: Anthracite grey (cod.24)