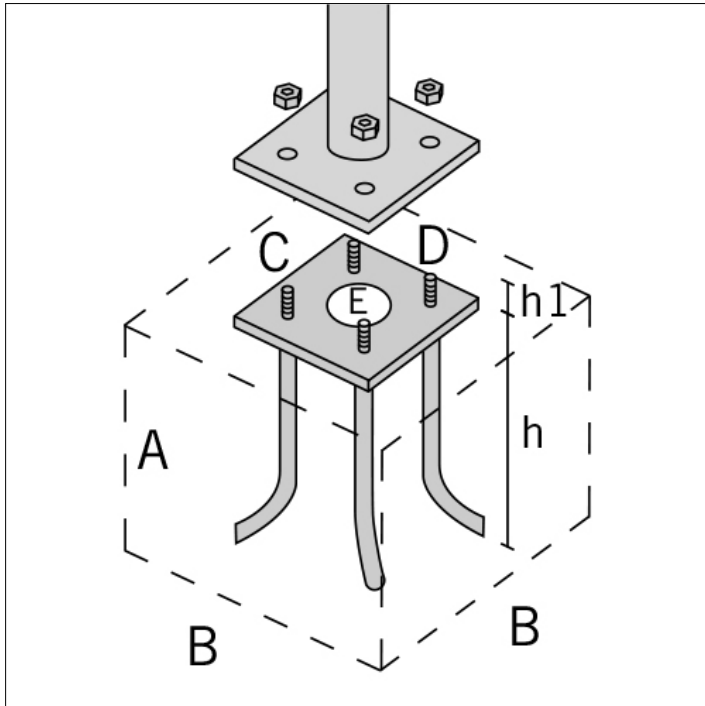


## ACCESSORY



**S.2849**  
**PLANTED ROOT for CYLINDRICAL POLE S.2801,**  
**S.2813, S.2843, S.2845**

C= 200mm, D=200mm E=Ø80mm, h=460mm, h1=90mm and bolts in galvanized steel with M16 threads. Suggested reinforced concrete footstall dimension \*\*: A = 0.7 m B = 0.7 m

\*\*Footstall dimension can be calculated according to your country norms and ground properties.

WE RECOMMEND THE USE OF THE FOLLOWING ACCESSORIES :

S.2801, S.2813, S.2843, S.2845 CYLINDRICAL POLE